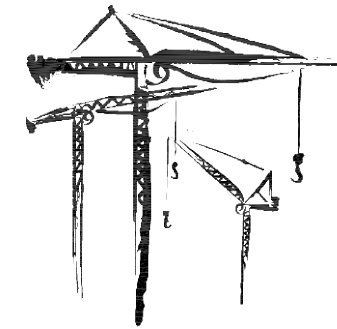




Turnkey Solutions * Parts and Service * Training and Safety * Transportation



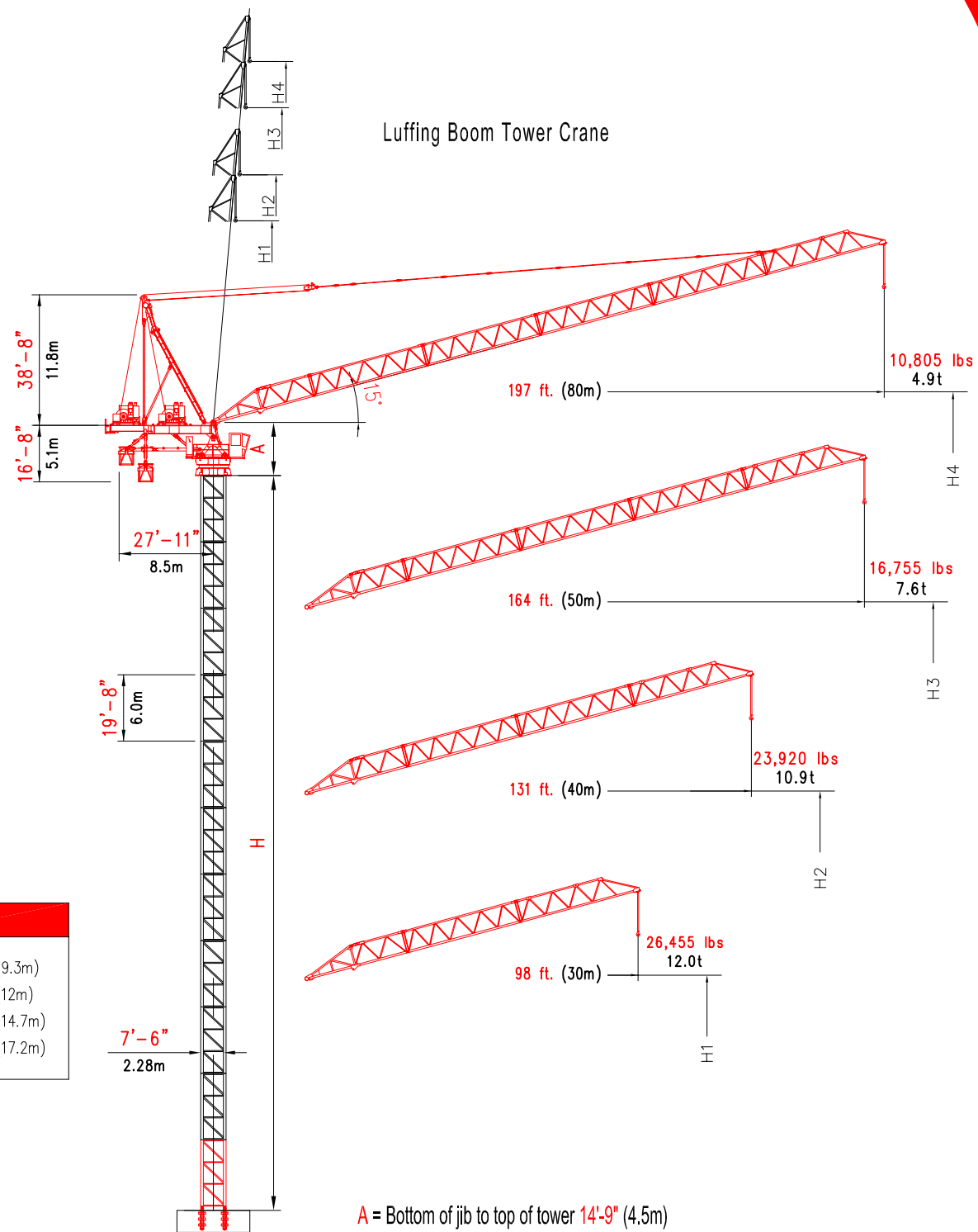
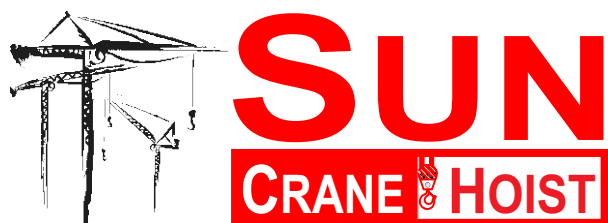
COMEDIL CTL 400-24

Tower Crane



2214 Hwy 1187 - BLDG 1
Mansfield, TX. 76063
Office : 817.225.1090 * Fax : 817.225.1035
Website : www.suncraneandhoist.com





COMEDIL CTL 400 - 24T

LINE SPEEDS AND POWER REQUIREMENTS

Hoist Unit
147 hp 110 kW

2 - Part Line	Line Speed	Capacity
Gear 1	131 ft/min 40 m/min	28,455 lbs 12t
Gear 2	180 ft/min 55 m/min	18,980 lbs 8.6t
Gear 3	246 ft/min 75 m/min	13,227 lbs 8t
Gear 4	335 ft/min 102 m/min	9,259 lbs 4.2t
Gear 5	381 ft/min 118 m/min	1,323 lbs 0.6t

4 - Part Line	Line Speed	Capacity
Gear 1	89 ft/min 27 m/min	39,683 lbs 18t
Gear 2	121 ft/min 37 m/min	28,440 lbs 12.9t
Gear 3	164 ft/min 50 m/min	19,842 lbs 9t
Gear 4	223 ft/min 68 m/min	13,889 lbs 6.3t
Gear 5	253 ft/min 77 m/min	1,984 lbs 0.9t

Unit	Horsepower	Kilowatts	Speed
Luffing	120.7	90 kW	2.1 min
Swing	2 x 18.8	2 x 14 kW	0.65 rpm
Traveling	4 x 59	4 x 80 Nm	39 - 79 ft/min 12 - 24 m/min

Power Requirements
460 volts, 60 cycle, 3 phase: 300 amp service

Additional Equipment and Services Available

- Peiner Tower Cranes
- Sun Tower Cranes
- Hercules Elevators
- Timberland Derricks
- Specialized Rigging
- Technical Services
- Third Party Inspections
- Parts and Repair Services
- Erection and Dismantlement Services

*Due to product improvement specifications are subject to change without notice.

EQUIPMENT RENTALS - SALES - 24 HOUR SERVICE - YARD STORAGE & TRANSFERS - NATIONWIDE SERVICE

2214 FM 1187, Suite 1
Mansfield, TX 76063
O 817.225.1090
F 817.225.1095

WWW.SUNCRANEANDHOIST.COM

Crane Component List

DESCRIPTION	DIMENSION L x W x H	WEIGHT	DESCRIPTION	DIMENSION L x W x H	WEIGHT
HD23 26.6 * Tower section	78" x 77" x 198" 2.34m x 2.32m x 6m	14,270 lbs 6,473 kg	Top climbing unit back panel	38'1" x 97" 11.61m x 2.92m	8,884 lbs 4030 kg
HD23 22.6 * Tower section	76" x 76" x 198" 2.28m x 2.29m x 6m	10,630 lbs 4,823 kg	Top climbing unit side panel	37'8" x 87" 11.48m x 2.62m	4,090 lbs 1855 kg
Anchor Stool 26.6	84" x 27" x 27" 2.55m x 0.8m x 0.8m	1,824 lbs 827 kg	Top climbing unit side panel	37'8" x 87" 11.48m x 2.62m	4,090 lbs 1855 kg
Anchor Stool 22.6	6'11" x 1'11" x 1'11" 2.13m x 0.6m x 0.6m	997 lbs 452 kg	Jib Section ①	30'11" x 6'4" x 6'7" 9.42m x 1.92m x 2.01m	4,916 lbs 2,260 kg
Upper Slewing Ring w/ Drive Assemblies	9'10" x 8'3" x 7'10" 3.0m x 2.51m x 2.4m	10,803 lbs 4,900 kg	Jib Section ②	33'10" x 6'2" x 5'10" 10.3m x 1.89m x 1.78m	2,756 lbs 1,250 kg
Lower Slewing Ring	9'10" x 8'3" x 7'10" 3.0m x 2.51m x 2.4m	10,141 lbs 4,600 kg	Jib Section ③	33'10" x 6'2" x 5'10" 10.3m x 1.89m x 1.78m	2,425 lbs 1,100 kg
Panoramic Cab	4'11" x 6'11" x 5'11" 1.5m x 2.12m x 1.8m	1,300 lbs 590 kg	Jib Section ④	33'10" x 6'2" x 5'10" 10.3m x 1.89m x 1.78m	2,425 lbs 1,100 kg
Counterjib	19'2" x 7'5" x 2'5" 5.85m x 2.27m x 0.74m	3,748 lbs 1,700 kg	Jib Section ⑤	33'10" x 6'2" x 5'10" 10.3m x 1.89m x 1.78m	2,094 lbs 950 kg
Hoisting Winch	76" x 7'10" x 7'3" 2.3m x 2.4m x 2.2m	14,705 lbs 6,670 kg	Jib Section ⑥	38'7" x 6'2" x 5'10" 11.75m x 1.89m x 1.78m	4,079 lbs 1,850 kg
Luffing Winch	6'9" x 7'10" x 6'1" 2.06m x 2.4m x 1.85m	9,722 lbs 4,410 kg	Jib Assembly for 197 ft (60 m) jib ①②③④⑤⑥	197' x 6'4" x 8'4" 60m x 1.92m x 2.55m	23,149 lbs 10,500 kg
A Frame	2'11" x 6'8" x 15'10" .9m x 2.03m x 4.84m	4,960 lbs 2,250 kg	Jib Assembly for 164 ft (50 m) jib ①②③④⑥	164' x 6'4" x 8'4" 50m x 1.92m x 2.55m	20,944 lbs 9,500 kg
A-Frame (bottom Part)	38'6" x 6'4" x 7'3" 11.74m x 1.94m x 2.2m	13,228 lbs 6,000 kg	Jib Assembly for 131 ft (40 m) jib ①②③⑥	131' x 6'4" x 8'4" 40m x 1.92m x 2.55m	18,739 lbs 8,500 kg
Top climbing unit frontal panel	16'3" x 87" 4.96m x 2.62m	1,874 lbs 850 kg	Jib Assembly for 98 ft (30 m) jib ①②⑥	98' x 6'4" x 8'4" 30m x 1.92m x 2.55m	16,535 lbs 7,500 kg

* Inclusive of ladders, platforms and assembly equipment
** Complete with trolley winch and various accessories

NOTE: Weights and dimensions are approximate. Weigh components before lifting.

- | | |
|------------------------------------------------------------------------------|----------------------------------------------------------------------|
| 1. Hoist/Luffing unit doesn't include wire rope, counterjib frame, platforms | 1. Jib assembly doesn't include trolley and load block |
| 2. Long counterjib doesn't include hoist winch frame and tie bars | 2. Hoist unit doesn't include wire rope, counterjib frame, platforms |
| 3. Turntable does not include cab, platforms and rails | 3. Long counterjib doesn't include hoist winch frame and tie bars |
| 4. Counterjib does not includes handrails, platforms, and leverages | 4. Operator's cabin doesn't include platform (400 kg/880 lbs) |
| | 5. Turntable complete doesn't include platform and operator cabin |
| | 6. Counterjib includes handrails and platforms |
| | 7. Cabin tower includes platform and ladder |

Radius and Capacities

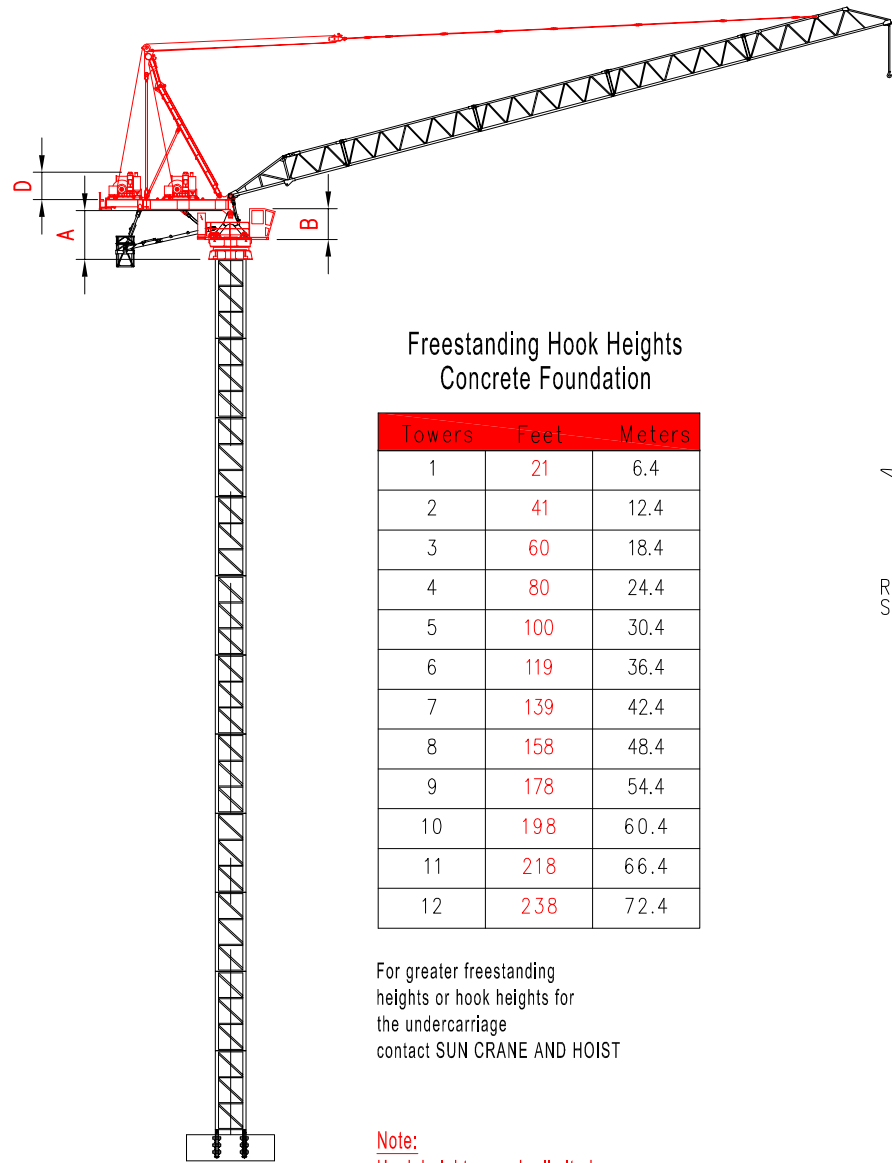
Radius and capacity (feet and pounds) 2-Part-Line														
	ft													
Hook	66	85	92	98	105	112	118	125	131	148	164	180	197	
Radius	lbs													
197ft	26,455 lbs - 84'-0"	26,455	26,103	24,229	22,553	21,077	19,797	18,629	17,615	16,689	14,727	13,162	11,861	10,805
164ft	26,455 lbs - 108'-0"	26,455	26,455	26,455	26,455	26,455	25,552	24,030	22,641	21,407	18,805	16,755		
131ft	26,455 lbs - 119'-0"	26,455	26,455	26,455	26,455	26,455	26,455	26,455	25,199	23,920				
98ft	26,455 lbs - 98'-0"	26,455	26,455	26,455	26,455									

Radius and capacity (feet and pounds) 4-Part-Line														
	ft													
Hook	66	72	79	85	92	98	105	112	118	125	131	148	164	
Radius	lbs													
164ft	39,683 lbs - 76'-0"	39,683	39,683	38,052	35,031	32,452	30,203	28,241	26,500	24,978	23,589	22,355	19,731	17,635
131ft	39,683 lbs - 83'-0"	39,683	39,683	39,683	38,647	35,803	33,334	31,173	29,277	27,580	26,059	24,780		
98ft	39,683 lbs - 86'-0"	39,683	39,683	39,683	39,683	36,927	34,480							

Radius and capacity (meters and tons) 2-Part-Line														
	m													
Hook	20	26	28	30	32	34	36	38	40	45	50	55	60	
Radius	t													
60m	12t - 25.7m	12	11.84	10.99	10.23	9.56	8.98	8.45	7.99	7.57	6.68	5.97	5.38	4.9
50m	12t - 32.9m	12	12	12	12	12	11.59	10.9	10.27	9.71	8.53	7.6		
40m	12t - 36.3m	12	12	12	12	12	12	12	11.43	10.85				
30m	12t - 30.0m	12	12	12	12									

Radius and capacity (meters and tons) 4-Part-Line														
	m													
Hook	20	22	24	26	28	30	32	34	36	38	40	45	50	
Radius	t													
50m	18t - 23.1m	18	18	17.26	15.89	14.72	13.7	12.81	12.02	11.33	10.7	10.14	8.95	8
40m	18t - 25.3m	18	18	18	17.53	16.24	15.12	14.14	13.28	12.51	11.82	11.24		
30m	18t - 26.1m	18	18	18	18	16.75	15.64							

Tower Heights / Freestanding



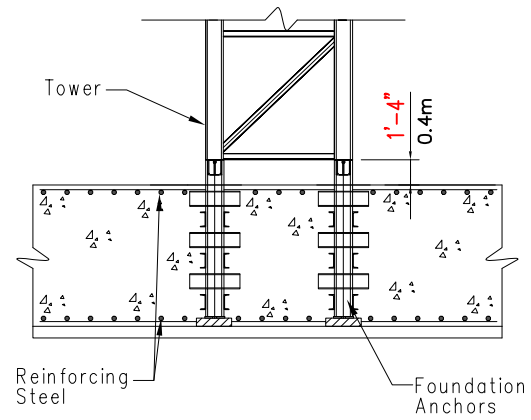
Freestanding Hook Heights
Concrete Foundation

Towers	Feet	Meters
1	21	6.4
2	41	12.4
3	60	18.4
4	80	24.4
5	100	30.4
6	119	36.4
7	139	42.4
8	158	48.4
9	178	54.4
10	198	60.4
11	218	66.4
12	238	72.4

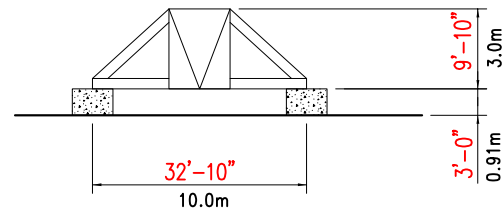
For greater freestanding heights or hook heights for the undercarriage contact SUN CRANE AND HOIST

Note:
Hook heights may be limited by geographic location.

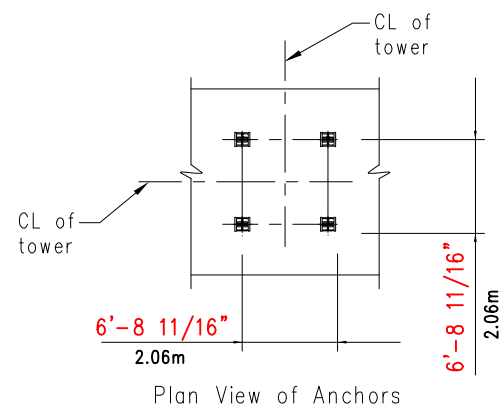
- A = Height of complete slewing unit 6'-7" (2m)
- B = Height of cab tower section 10'-0" (3.05m)
- C = Height of jib section 8'-2" (2.5m)
- D = Height of Service Derrick 12'-0" (3.6m)



Elevation View of Anchors

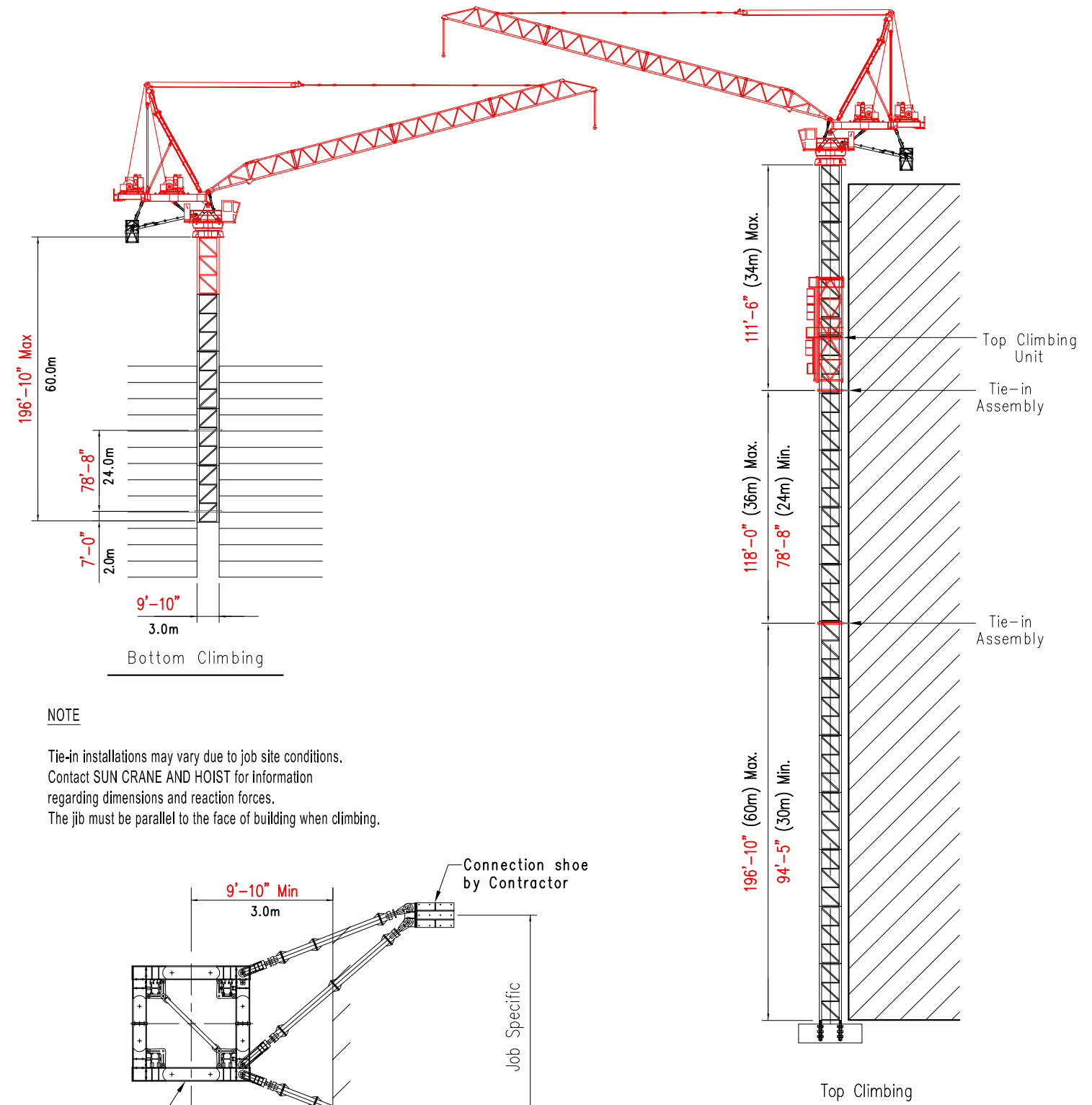


Elevation View of Undercarriage



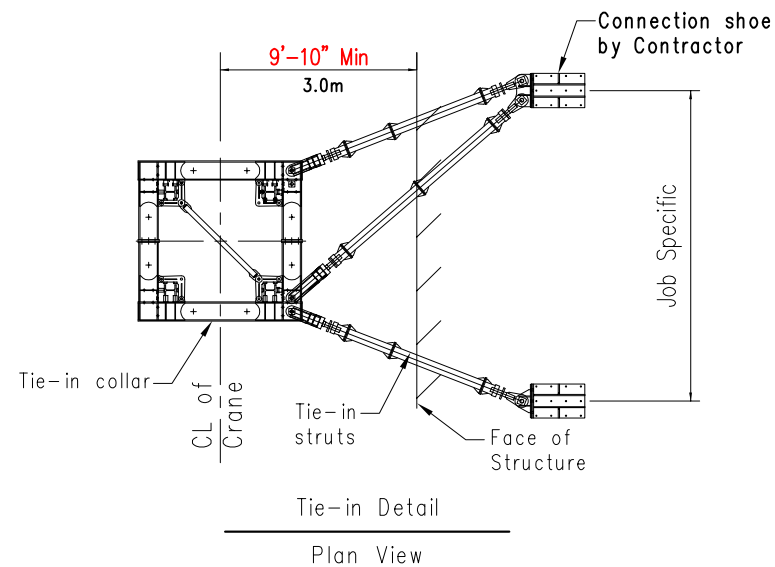
Plan View of Anchors

Climbing / Tie-in Assembly



NOTE

Tie-in installations may vary due to job site conditions. Contact SUN CRANE AND HOIST for information regarding dimensions and reaction forces. The jib must be parallel to the face of building when climbing.



Tie-in Detail

Plan View