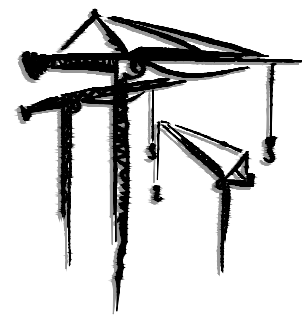


**LEWIS**  
**CRANE & HOIST**

• Tower Crane • Hoist • mobile •  
Rentals and Sales



**LEWIS**  
**CRANE & HOIST**

2214 HWY. 1187 BLDG. 1  
Mansfield, TX76063  
817-225-1090

*"Your Turnkey Crane and Hoist Provider"*



**MORITSCH**  
CRANES SINCE 1962

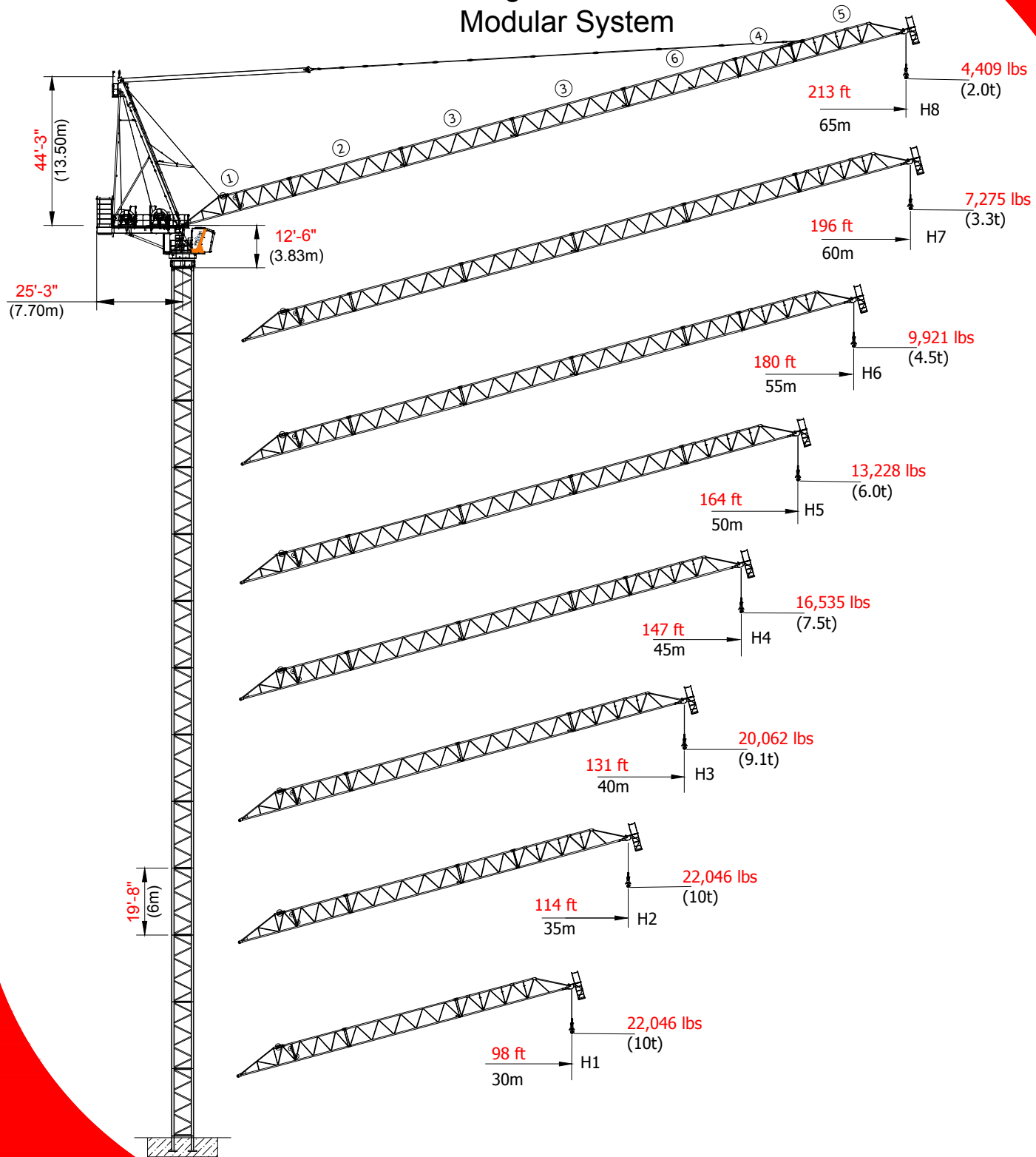
**RTL315**

**Luffer Tower Crane**





Luffing Tower Crane  
Modular System



Line Speeds and Power Requirements

Hoisting Unit  
87 hp (80 kW)

2 - Part Line	Line Speed	Capacity
22,046 lbs. 10t	125 ft/min 38 m/min	22,046 lbs. 10t
	197 ft/min 60 m/min	13,228 lbs. 6t
	689 ft/min 210 m/min	2,425 lbs. 1.1t

4 - Part Line	Line Speed	Capacity
44,092 lbs. 20 t	52 ft/min 16 m/min	44,092 lbs. 20 t
	98 ft/min 30 m/min	26,455 lbs. 12 t
	344 ft/min 105 m/min	4,850 lbs. 2.2 t

Unit	Horsepower	Kilowatts	Speed
LUFFING	10	67kW	0 - 94m/min 0 - 308 ft/min
SWING	3 x 10 hp	2 x 11	0 - 0.7 rpm

Power Requirements  
460 volts, 3 phase, 60 Hz, 400 amp service

Additional Equipment and Services Available

- Moritsch Tower Cranes
- Comedil Tower Cranes
- Peiner Tower Cranes
- Sun Tower Cranes
- Comansa Tower Cranes
- Timberland Derricks
- Hardrock Elevators
- Hercules Elevators
- Specialized Rigging
- Technical Services
- Third Party Inspections
- Parts and Repair Services
- Erection and Dismantlement Services

\*Due to product improvement specifications are subject to change without notice.

EQUIPMENT RENTALS - SALES- 24 HOUR SERVICE - YARD STORAGE & TRANSFERS - REGIONAL SERVICE

2214 FM 1187, SUITE 1  
MANSFIELD, TX 76063  
OFFICE: 817-225-1090 FAX: 817-225-1095

WWW.LEWISCRANEANDHOIST.COM

DESCRIPTION	DIMENSION L x W x H	WEIGHT
Tower Section HR23-22.6	7'-6" x 7'-6" x 19'-8" 2.28m x 2.28m x 6m	10,635 lbs 4823 kg
Tower Section HR23-26.6	7'-9" x 7'-9" x 19'-8" 2.32m x 2.32m x 6m	13,825 lbs 6270 kg
Anchors (4x) HR23-22.6	2'-5" x 2'-5" x 6'-5" .60m x .60m x 2.02m	1,080 lbs 490 kg
Anchors (4x) HR23-26.6	2'-5" x 2'-5" x 8'-5" .60m x .60m x 2.6m	1,830 lbs 830 kg
Climbing Unit Complete	33'-2" x 10'-6" x 10'-6" 11.6m x 3.2m x 3.2m	30,200 lbs 13698 kg
Turntable HR23	8'-6" x 10'-4" x 9'-8" 2.59m x 3.15m x 2.99m	25,023 lbs. 11,350 kg
Cathead A-Frame Complete	24'-3" x 8'-1" x 46'-1" 7.40m x 2.47m x 14.04m	14,881 lbs. 6750kg
Cabin w/Platform	8'-4" x 6'-4" x 15'-3" 2.55m x 1.95m x 4.65m	4,850 lbs. 2200 kg
Counterdeck w/ hand rails	27'-2" x 15'-7" x 6'-8" 8.28m x 4.76m x 2.04m	16,535 lbs. 7500 kg
Hoisting Winch 80 HVF100-F18 w/ Rope	11'-10" x 5'-11" x 6'-4" 3.62m x 1.82m x 1.94m	13,117 lbs. 5950 kg
Luffing Winch 67 kW w/ Rope	10'-3" x 5'-6" x 6'-4" 3.13m x 1.70m x 1.94m	9,656 lbs. 4380 kg
Hook Block	4'-1" x 1'-8" x 3'-6" 4.10m x 1.74m x 3.48m	1,058 lbs. 480 kg
Counterweights A B C	9'-7" x 4'-1" x 9" 2.94m x 1.25m x 0.24m	A- 11,025 B- 11,025 C- 4,410
Jib Section ①	34'-8" x 5'-9" x 5'-9" 10.56m x 1.76m x 1.76m	4,960 lbs 2250 kg

DESCRIPTION	DIMENSION L x W x H	WEIGHT
Jib Section ②	34'-6" x 5'-9" x 5'-9" 10.52m x 1.76m x 1.76m	2,954 lbs 1340 kg
Jib Section ③	34'-6" x 5'-9" x 5'-9" 10.52m x 1.76m x 1.76m	2,535 lbs 1150 kg
Jib Section ④	17'-7" x 5'-9" x 5'-9" 5.35m x 1.76m x 1.76m	1,301 lbs 590 kg
Jib Section ⑤	34'-7" x 5'-9" x 5'-9" 10.60m x 1.76m x 1.76m	3,197 lbs 1450 kg
Jib Section ⑥	34'-6" x 5'-9" x 5'-9" 10.53m x 1.76m x 1.76m	2,535 lbs 1150 kg
Jib Tip Platform ⑦	3'-0" x 3'-1" x 8'-2" .94m x .95m x 2.5m	198 lbs 90 kg
213 ft. Jib Assembly (65m) ①②③④⑤ + Tip	213' x 5'-9" x 5'-9" 65m x 1.76m x 1.76m	20,215 lbs 9169 kg
196 ft. Jib Assembly (60m) ①②③④⑤ + Tip	196' x 5'-9" x 5'-9" 60m x 1.76m x 1.76m	18,914 lbs 8579 kg
180 ft. Jib Assembly (55m) ①②③④⑤ + Tip	180' x 5'-9" x 5'-9" 55m x 1.76m x 1.76m	17,680 lbs 8019 kg
164 ft. Jib Assembly (50m) ①②③④⑤ + Tip	164' x 5'-9" x 5'-9" 50m x 1.76m x 1.76m	16,379 lbs 7429 kg
148 ft. Jib Assembly (45m) ①②③④⑤ + Tip	148' x 5'-9" x 5'-9" 45m x 1.76m x 1.76m	15,145 lbs 6869 kg
131 ft. Jib Assembly (40m) ①②③⑤ + Tip	131' x 5'-9" x 5'-9" 40m x 1.76m x 1.76m	13,844 lbs 6279 kg
115 ft. Jib Assembly (50m) ①②④⑤ + Tip	115' x 5'-9" x 5'-9" 35m x 1.76m x 1.76m	12,610 lbs 5720 kg
98 ft. Jib Assembly (30m) ①②⑤ + Tip	98' x 5'-9" x 5'-9" 30m x 1.76m x 1.76m	11,309 lbs 5129 kg

**NOTE: Weights and dimensions are approximate. Weigh components before lifting.**

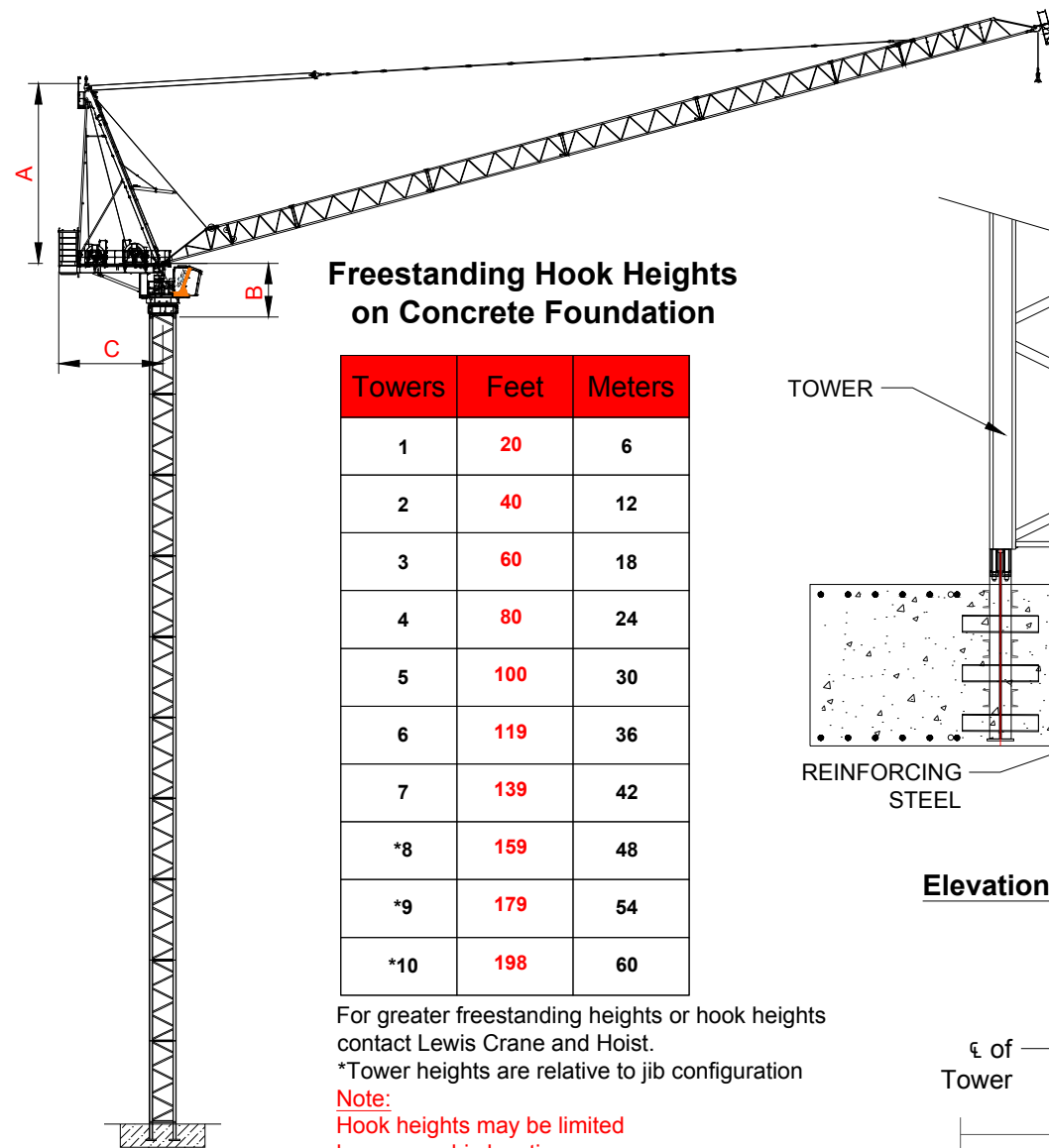
- Jib assembly doesn't include trolley, pulley support and load block
- Hoist unit includes wire rope
- Counterweight-jib doesn't include hoist winch, luffing winch, frame, and tie bars
- Turntable includes A- support frame, does not include platform, and operators cabin
- Cabin includes platform, ladder, control panel and rails
- Telescoping cage does not include platform, ladder and hydraulic pump

Radius and capacity (feet and pounds)		2-Part - line										ft
Hook Radius		49	65	82	98	114	131	147	164	180	196	213
213 ft	22,046 lbs - 92 ft	22,046	22,046	22,046	20,207	16,017	12,875	10,430	8,474	6,874	5,539	4,409
196 ft	22,046 lbs - 102 ft	22,046	22,046	22,046	22,046	18,851	15,380	12,680	10,519	8,751	7,275	
180 ft	22,046 lbs - 109 ft	22,046	22,046	22,046	22,046	20,507	16,869	14,040	11,776	9,921		
164 ft	22,046 lbs - 116 ft	22,046	22,046	22,046	22,046	22,046	18,555	15,597	13,228			
148 ft	22,046 lbs - 120 ft	22,046	22,046	22,046	22,046	22,046	19,545	16,535				
131 ft	22,046 lbs - 122 ft	22,046	22,046	22,046	22,046	22,046	20,062					
115 ft	22,046 lbs - 114 ft	22,046	22,046	22,046	22,046	22,046						
98 ft	22,046 lbs - 98 ft	22,046	22,046	22,046	22,046							

Radius and capacity (feet and pounds)		4-Part - line							ft	
Hook Radius		49	65	82	98	114	131	147	164	180
180 ft	39,683 lbs - 67 ft	39,683	39,683	31,244	24,529	19,732	16,134	13,334	11,094	9,259
164 ft	44,092 lbs - 65 ft	44,092	44,092	33,659	26,631	21,610	17,844	14,914	12,566	
148 ft	44,092 lbs - 67 ft	44,092	44,092	34,954	27,801	22,692	18,859	15,873		
131 ft	44,092 lbs - 68 ft	44,092	44,092	35,333	28,256	23,199	19,401			
115 ft	44,092 lbs - 68 ft	44,092	44,092	35,488	28,424	23,369				
98 ft	44,092 lbs - 68 ft	44,092	44,092	35,819	28,660					

Radius and capacity (meter and tons)		2-Part - line										m
Hook Radius		15	20	25	30	35	40	45	50	55	60	65
65m	10 t - 28 m	10.00	10.00	10.00	9.17	7.27	5.84	4.73	3.84	3.12	2.51	2.00
60m	10 t - 31 m	10.00	10.00	10.00	10.00	8.55	6.98	5.75	4.77	3.97	3.30	
55m	10 t - 33 m	10.00	10.00	10.00	10.00	9.30	7.65	6.37	5.34	4.50		
50m	10 t - 36 m	10.00	10.00	10.00	10.00	10.00	8.42	7.07	6.00			
45m	10 t - 36 m	10.00	10.00	10.00	10.00	10.00	8.87	7.50				
40m	10 t - 37 m	10.00	10.00	10.00	10.00	10.00	9.10					
35m	10 t - 35 m	10.00	10.00	10.00	10.00	10.00						
30m	10 t - 30 m	10.00	10.00	10.00	10.00							

Radius and capacity (meter and tons)		4-Part - line							m	
Hook Radius		15	20	25	30	35	40	45	50	55
55m	18 t - 20 m	18.00	18.00	14.17	11.13	8.95	7.32	6.05	5.03	4.20
50m	20 t - 20 m	20.00	20.00	15.27	12.08	9.80	8.09	6.76	5.70	
45m	20 t - 20 m	20.00	20.00	15.85	12.61	10.29	8.55	7.20		
40m	20 t - 20 m	20.00	20.00	16.03	12.82	10.52	8.80			
35m	20 t - 20 m	20.00	20.00	16.10	12.89	10.60				
30m	20 t - 20 m	20.00	20.00	16.25	13.00					

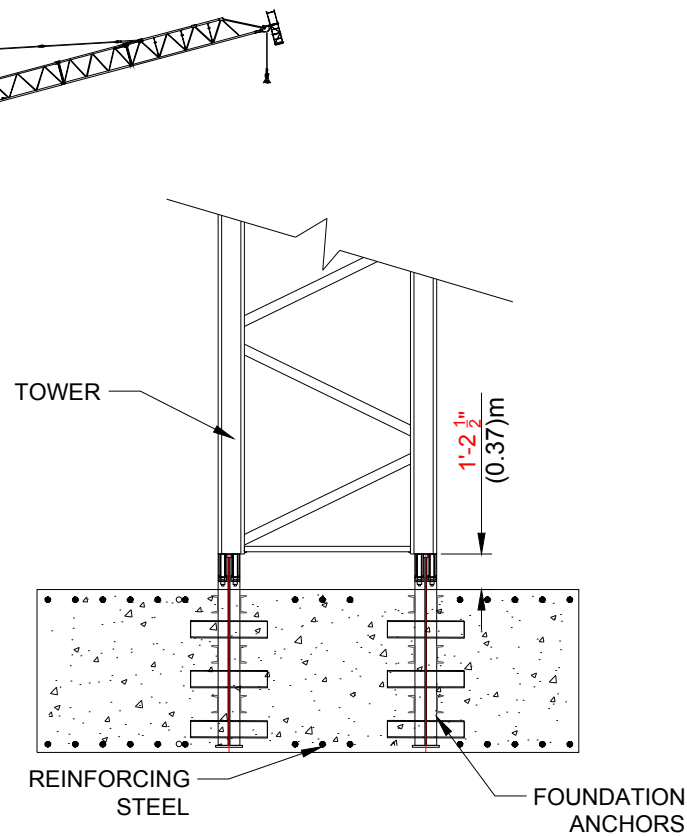


### Freestanding Hook Heights on Concrete Foundation

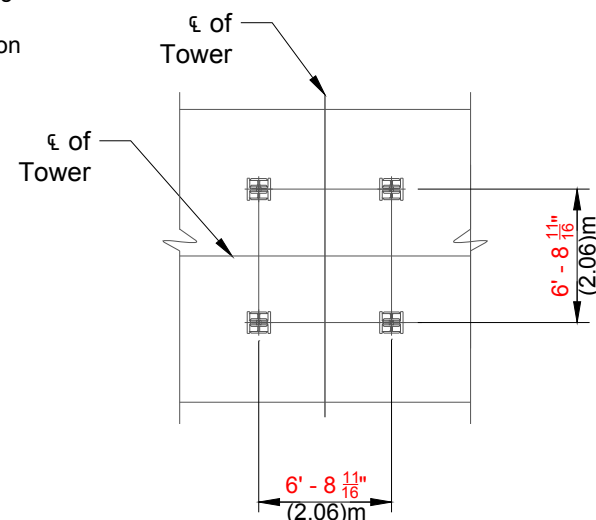
Towers	Feet	Meters
1	20	6
2	40	12
3	60	18
4	80	24
5	100	30
6	119	36
7	139	42
*8	159	48
*9	179	54
*10	198	60

For greater freestanding heights or hook heights contact Lewis Crane and Hoist.  
 \*Tower heights are relative to jib configuration  
**Note:**  
 Hook heights may be limited by geographic location

A = Height of A-Frame unit 44'-2" (13.5m)  
 B = Height of complete slewing unit w/ cabin 12'-6" (3.83m)  
 C = Distance of counter jib section 25'-3" (7.70m)



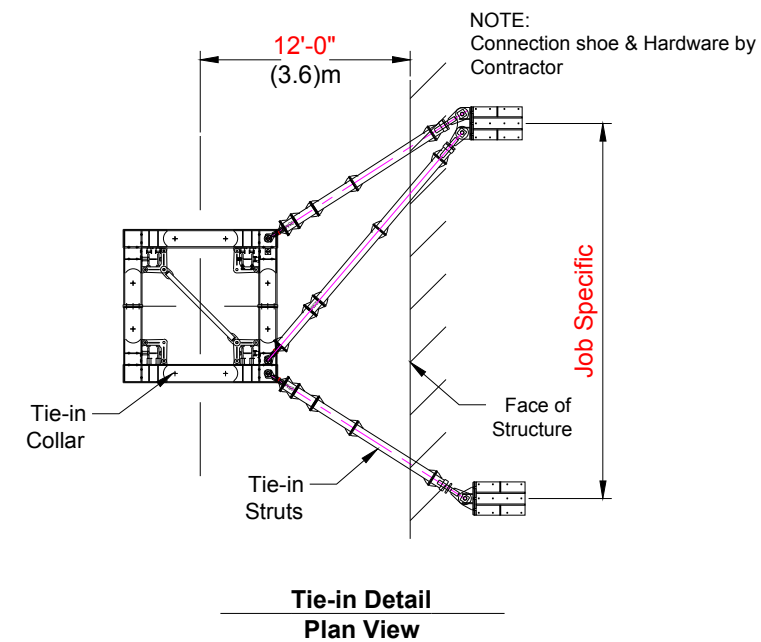
Elevation View of Anchors



Plan View of Anchors

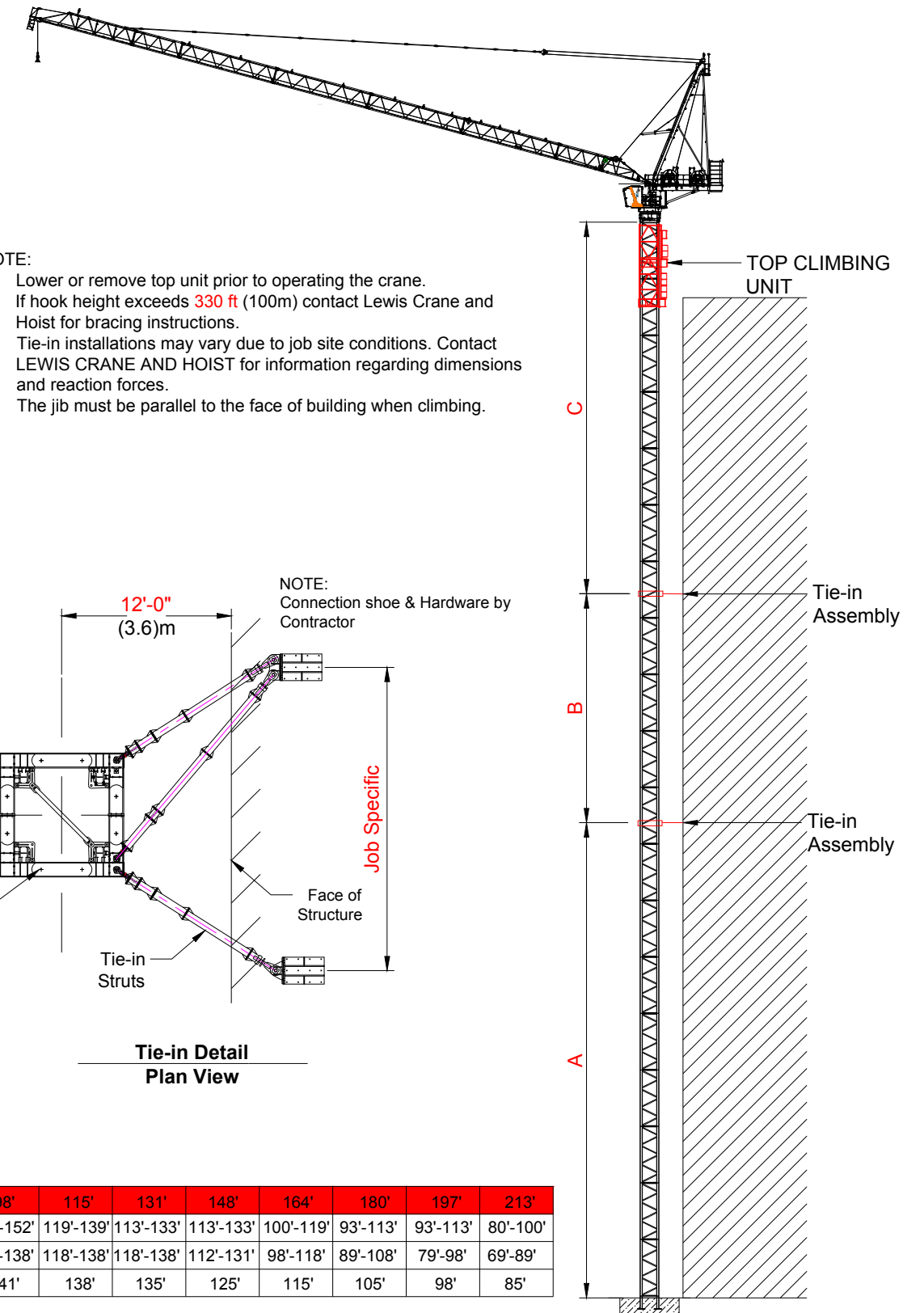
**NOTE:**

1. Lower or remove top unit prior to operating the crane.
2. If hook height exceeds 330 ft (100m) contact Lewis Crane and Hoist for bracing instructions.
3. Tie-in installations may vary due to job site conditions. Contact LEWIS CRANE AND HOIST for information regarding dimensions and reaction forces.
4. The jib must be parallel to the face of building when climbing.



Tie-in Detail Plan View

Jib Length (ft)	98'	115'	131'	148'	164'	180'	197'	213'
A Min/Max	133'-152'	119'-139'	113'-133'	113'-133'	100'-119'	93'-113'	93'-113'	80'-100'
B Min/Max	118'-138'	118'-138'	118'-138'	112'-131'	98'-118'	89'-108'	79'-98'	69'-89'
C Min/Max	141'	138'	135'	125'	115'	105'	98'	85'



TOP CLIMBING