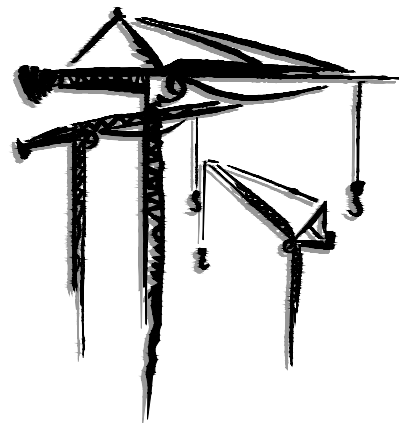


**LEWIS**  
**CRANE & HOIST**

• Tower Crane • Hoist • Mobile •  
Rentals and Sales



**LEWIS**  
**CRANE & HOIST**

2214 HWY. 1187 BLDG. 1  
Mansfield TX 76063

Office: 817-225-1090 Fax: 817-225-1035  
[www.lewiscraneandhoist.com](http://www.lewiscraneandhoist.com)



**MORITSCH RTT470**

Tower Crane



# Crane Component List

# MORITSCH RTT470

# Radius and Capacities

# MORITSCH RTT470

DESCRIPTION	DIMENSION L x W x H	WEIGHT
Tower Section HR23-22.6	7.5'x7.5'x20' 2.29mx2.28mx6.035m	10695 lbs 4850 kg
Tower Section HR23-26.6	7.9'x7.9'x20' 2.34mx2.32mx6.035m	13825 lbs 6270 kg
Turntable	82"x93"x91" 2.07mx2.32mx2.30m	23258 lbs 10550 kg
Cathead	125"x85"x268" 3.16mx2.11mx6.80m	19995 lbs 9070 kg
Counterjib	670"x13'x9' 17mx4.05mx2.66m	21770 lbs 9875 kg
CAB unit	16.3'x7.5'x8.4' 4.96mx2.31mx2.55m	5071 lbs 2300 kg
Hoistin winch frame	7.5'x17.5'x7.5' 2.32mx5.39mx2.30m	17990 lbs 8160 kg
Hook Block	4.8'x1.6'x6.6' 1.46mx0.5mx2.02m	2480 lbs 1125 kg
Anchors (4x) HR23-22	2.5'x2.5'x6.5' 0.8mx0.8mx2m	1080 lbs 490 kg
Anchors (4x) HR23-26	2.5'x2.5'x8.5' 0.8mx0.8mx2.6m	1830 lbs 830kg
Jib Section ①	38.7'x7'x9' 11.7mx2.1mx2.74m	10330 lbs 4685 kg
Jib Section ②	33'x6.2'x8.75' 10mx1.85mx2.65m	8950 lbs 4060 kg
Jib Section ③	33'x6'x8.1' 10mx1.85mx2.49m	6955 lbs 3155 kg
Jib Section ④	17'x6'x8.1' 5.17mx1.85mx2.48m	3185 lbs 1445 kg
Jib Section ⑤	17'x6'x7' 5.16mx1.85mx2.11m	3100 lbs 1405 kg
Jib Section ⑥	17'x6'x8.1' 10mx1.85mx2m	3185 lbs 1445 kg
Jib Section ⑦	17.5'x6.25'x6.67' 5.29mx1.85mx2.01m	2020 lbs. 915 kg

DESCRIPTION	DIMENSION L x W x H	WEIGHT
Jib Section ⑧	17.5'x6'x6.1' 5.25mx1.85mx1.86m	1635 lbs 740 kg
Jib Section ⑨	17.5'x6'x6.1' 5.25mx1.85mx1.86m	1390 lbs 630 kg
Jib Section ⑩	17.5'x6'x6.1' 5.25mx1.86mx1.86m	1160 lbs 525 kg
Jib Section ⑪	17.5'x6'x6.1' 5.25mx1.85mx1.86m	1095 lbs 495 kg
Jib Section ⑫	17.5'x6'x6.1' 5.25mx1.85mx1.86m	940 lbs 425 kg
Jib Tip ⑬	2.9'x6.9'x5.25' 0.87mx2.12mx1.6m	650 lbs 295 kg
Counterweights A	4'-7" x 11" x 15'-7" 1.4m x .28m x 4.75m	A- 12,345 lbs
262 ft. Jib Assembly (80m) ①②③④⑤⑥⑦⑧⑨⑩⑪⑫ + Tip	272'x6'x8.1' 81.3mx1.85mx2.49m	27949lbs 12360 kg
246 ft. Jib Assembly (75m) ①②③④⑤⑥⑦⑧⑨⑩⑪ + Tip	256'x6'x8.1' 76.3mx1.85mx2.49m	26301lbs 11930 kg
230 ft. Jib Assembly (70m) ①②③④⑤⑥⑦⑧⑨⑩ + Tip	240'x6'x8.1' 71.3mx1.85mx2.49m	25199 lbs 11430kg
213 ft. Jib Assembly (65m) ①②③④⑤⑥⑦⑧⑨ + Tip	223'x6'x8.1' 66.3mx1.85mx2.49m	24030 lbs 10900kg
197 ft. Jib Assembly (60m) ①②③④⑤⑥⑦⑧ + Tip	207'x6'x8.1' 61.3mx1.85mx2.49m	22575 lbs 10240 kg
180 ft. Jib Assembly (55m) ①②③④⑤⑥⑦ + Tip	190'x6'x8.1' 56.3mx1.85mx2.49m	20922 lbs 9490 kg
164 ft. Jib Assembly (50m) ①②③④⑤⑥ + Tip	176'x6'x8.1' 51.3mx1.85mx2.49m	18872 lbs 8560 kg
148 ft. Jib Assembly (45m) ①②③④⑥ + Tip	158'x6'x8.1' 46.3mx1.85mx2.49m	15763lbs 7150 kg
131 ft. Jib Assembly (40m) ①②③④⑤ + Tip	141'x6'x8.1' 41.3mx1.85mx2.49m	14110 lbs 6400 kg
115 ft. Jib Assembly (35m) ①②③④ + Tip	125'x6'x8.1' 36.3mx1.85mx2.49m	10935 lbs 4960 kg

Radius and capacity (ft and lbs)		2-Part - line											ft
Hook Radius		98	115	131	148	164	180	197	213	230	246	262	
262 ft	26,455 lbs - 91,01 ft	24,012	19,849	16,759	14,375	12,479	10,936	9,656	8,576	7,654	6,856	6,160	lbs.
246 ft	26,455 lbs - 104,68 ft	26,455	23,614	20,038	17,279	15,086	13,301	11,820	10,570	9,503	8,580		
230 ft	26,455 lbs - 112,50 ft	26,455	25,766	21,913	18,940	16,577	14,653	13,057	11,710	10,560			
213 ft	26,455 lbs - 119,69 ft	26,455	26,455	23,639	20,469	17,949	15,898	14,195	12,760				
197 ft	26,455 lbs - 127,30 ft	26,455	26,455	25,465	22,087	19,401	17,214	15,400					
180 ft	26,455 lbs - 130,80 ft	26,455	26,455	26,305	22,831	20,068	17,820						
164 ft	26,455 lbs - 136,32 ft	26,455	26,455	26,455	24,002	21,120							
148 ft	26,455 lbs - 135,18 ft	26,455	26,455	26,455	23,760								
131 ft	26,455 lbs - 131,20 ft	26,455	26,455	26,455									

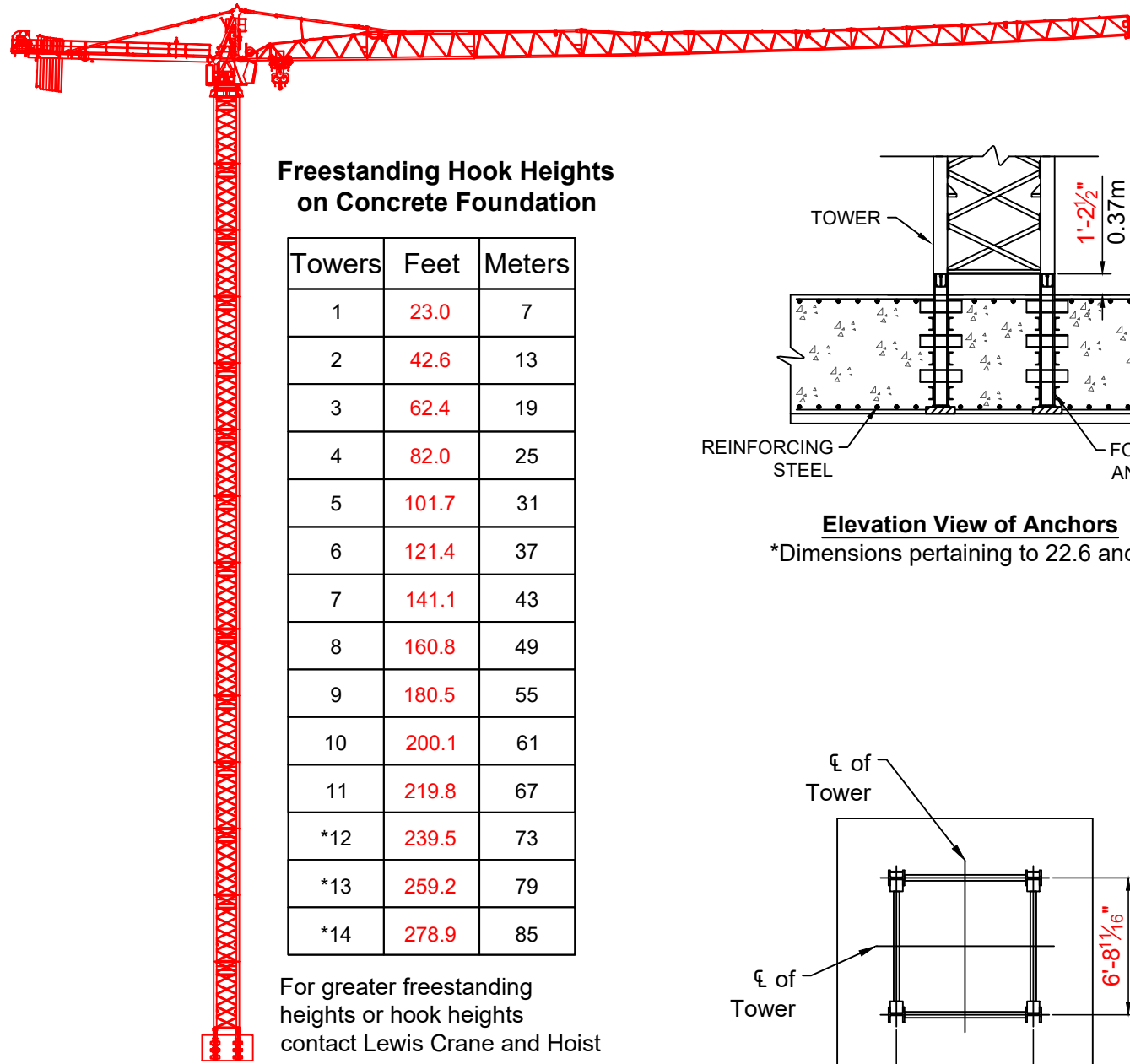
Radius and capacity (ft and lbs)		4-Part - line											ft
Hook Radius		98	115	131	148	164	180	197	213	230	246	262	
262 ft	52,910 lbs - 51,90 ft	24,193	19,833	16,598	14,101	12,117	10,501	9,161	8,030	7,064	6,229	5,500	lbs.
246 ft	52,910 lbs - 58,94 ft	28,529	23,527	19,815	16,951	14,744	12,821	11,286	9,986	8,878	7,920		
230 ft	52,910 lbs - 62,91 ft	30,971	25,608	21,628	18,557	16,115	14,128	12,479	11,088	9,900			
213 ft	52,910 lbs - 66,56 ft	33,213	27,518	23,291	20,031	17,438	15,328	13,577	12,100				
197 ft	52,910 lbs - 70,42 ft	35,589	29,542	25,055	21,593	18,840	16,599	14,740					
180 ft	52,910 lbs - 72,12 ft	36,637	30,435	25,832	22,281	19,458	17,160						
164 ft	52,910 lbs - 74,89 ft	38,335	31,882	27,093	23,398	20,460							
148 ft	52,910 lbs - 74,15 ft	37,883	31,496	26,757	23,100								
131 ft	52,910 lbs - 75,78 ft	38,884	32,349	27,500									

Radius and capacity (meter and tons)		2-Part - line											m
Hook Radius		30	35	40	45	50	55	60	65	70	75	80	
80m	12 t - 27.75 m	10.91	9.02	7.62	6.53	5.67	4.97	4.39	3.90	3.48	3.12	2.80	t
75 m	12 t - 31.92 m	12.00	10.73	9.11	7.85	6.86	6.05	5.37	4.80	4.32	3.90		
70 m	12 t - 34.30 m	12.00	11.71	9.96	8.61	7.54	6.66	5.93	5.32	4.80			
65 m	12 t - 36.49 m	12.00	12.00	10.75	9.30	8.16	7.23	6.45	5.80				
60 m	12 t - 38.81 m	12.00	12.00	11.58	10.04	8.82	7.82	7.00					
55 m	12 t - 39.88 m	12.00	12.00	11.96	10.38	9.12	8.10						
50 m	12 t - 41.56 m	12.00	12.00	12.00	10.91	9.60							
45 m	12 t - 41.21 m	12.00	12.00	12.00	10.80								
40 m	12 t - 40.00 m	12.00	12.00	12.00									

Radius and capacity (meter and tons)		4-Part - line											m
Hook Radius		30	35	40	45	50	55	60	65	70	75	80	
80m	24 t - 15.82 m	11.00	9.02	7.54	6.41	5.51	4.77	4.16	3.65	3.21	2.83	2.50	t
75 m	24 t - 17.97 m	12.97	10.69	9.01	7.71	6.67	5.83	5.13	4.54	4.04	3.60		
70 m	24 t - 19.18 m	14.08	11.64	9.83	8.43	7.33	6.42	5.67	5.04	4.50			
65 m	24 t - 20.29 m	15.10	12.51	10.59	9.10	7.93	6.97	6.17	5.50				
60 m	24 t - 21.47 m	16.18	13.43	11.39	9.81	8.56	7.55	6.70					
55 m	24 t - 21.99 m	16.65	13.83	11.74	10.13	8.84	7.80						
50 m	24 t - 22.83 m	17.43	14.49	12.31	10.64	9.30							
45 m	24 t - 22.61 m	17.22	14.32	12.16	10.50								
40 m	24 t - 23.10 m	17.67	14.07	12.50									

**NOTE: Weights and dimensions are approximate. Weigh components before lifting.**

1. Jib assembly doesn't include trolley, pulley support and load block
2. Counter-Jib excludes wire rope and auxiliary-jib
3. Turntable complete does not include platform

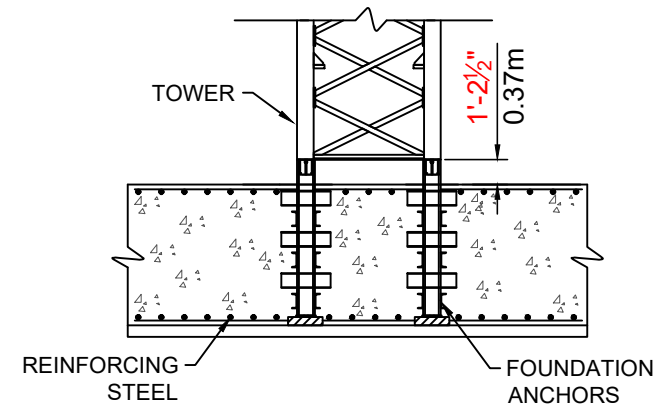


**Freestanding Hook Heights on Concrete Foundation**

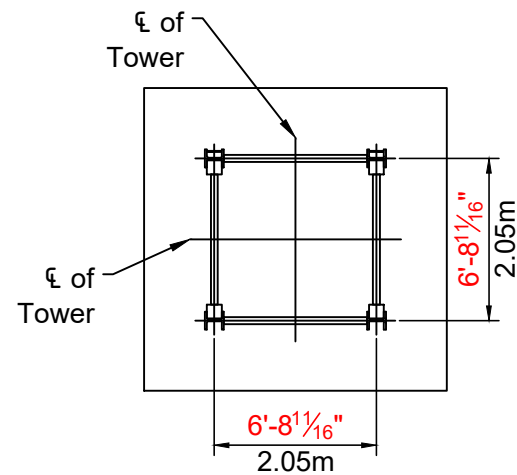
Towers	Feet	Meters
1	23.0	7
2	42.6	13
3	62.4	19
4	82.0	25
5	101.7	31
6	121.4	37
7	141.1	43
8	160.8	49
9	180.5	55
10	200.1	61
11	219.8	67
*12	239.5	73
*13	259.2	79
*14	278.9	85

For greater freestanding heights or hook heights contact Lewis Crane and Hoist

**Note:**  
Hook heights may be limited by geographic location

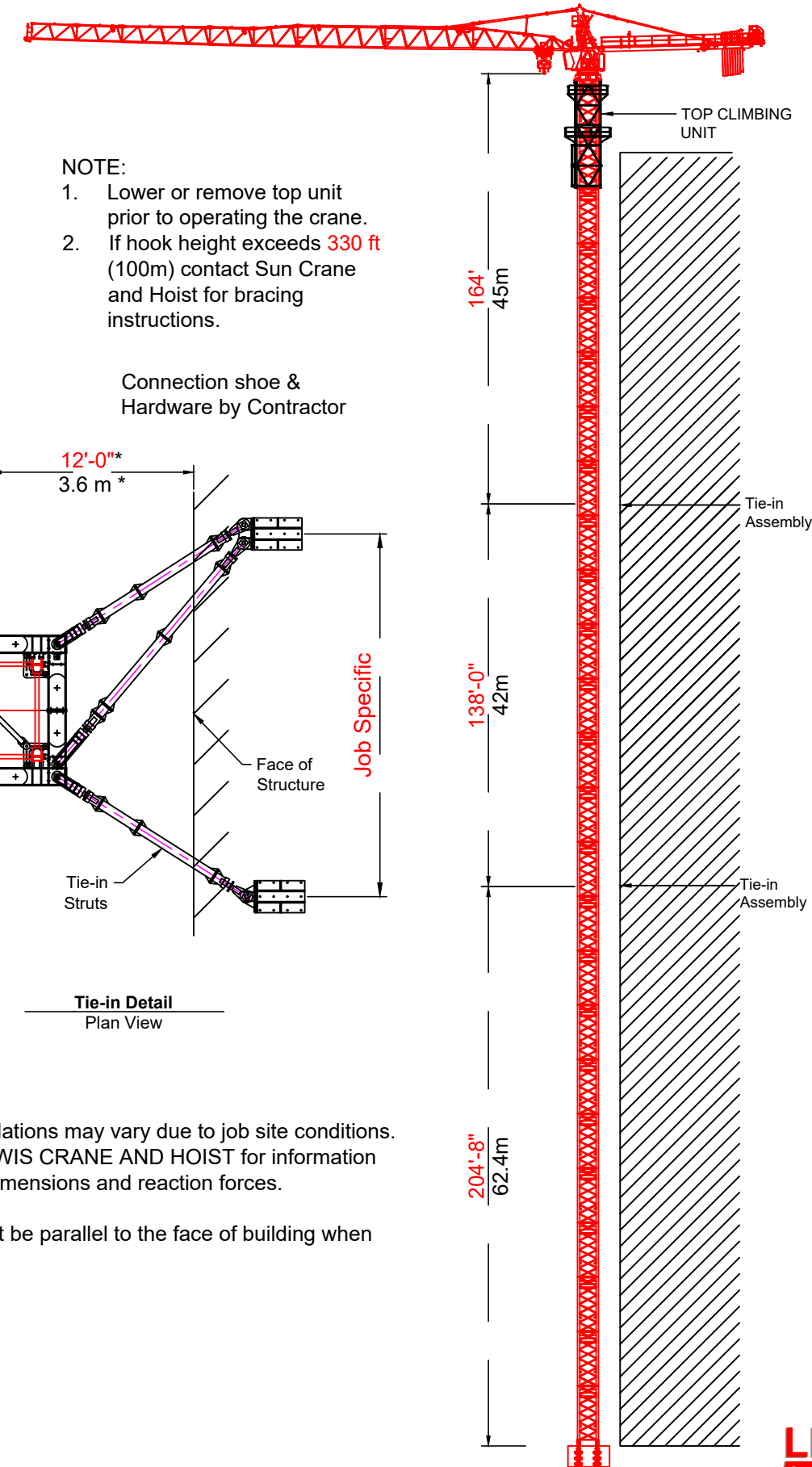


**Elevation View of Anchors**  
\*Dimensions pertaining to 22.6 anchor



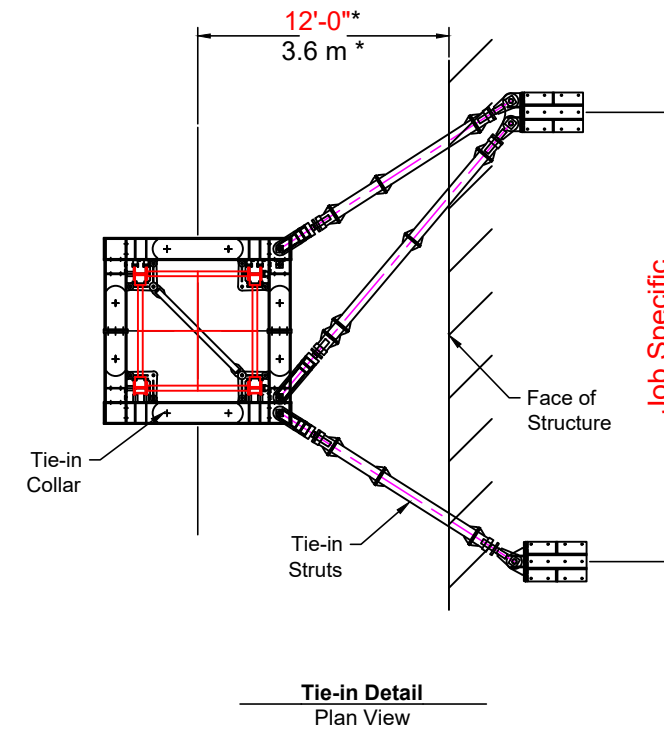
**Plan View of Anchors**

- A = Height of telescoping unit 30'-8" 9.3m
- B = Height of complete slewing unit 7'-5" 2.3m
- C = Height of jib section 8'-2" 2.49m



- NOTE:**
1. Lower or remove top unit prior to operating the crane.
  2. If hook height exceeds 330 ft (100m) contact Sun Crane and Hoist for bracing instructions.

Connection shoe & Hardware by Contractor

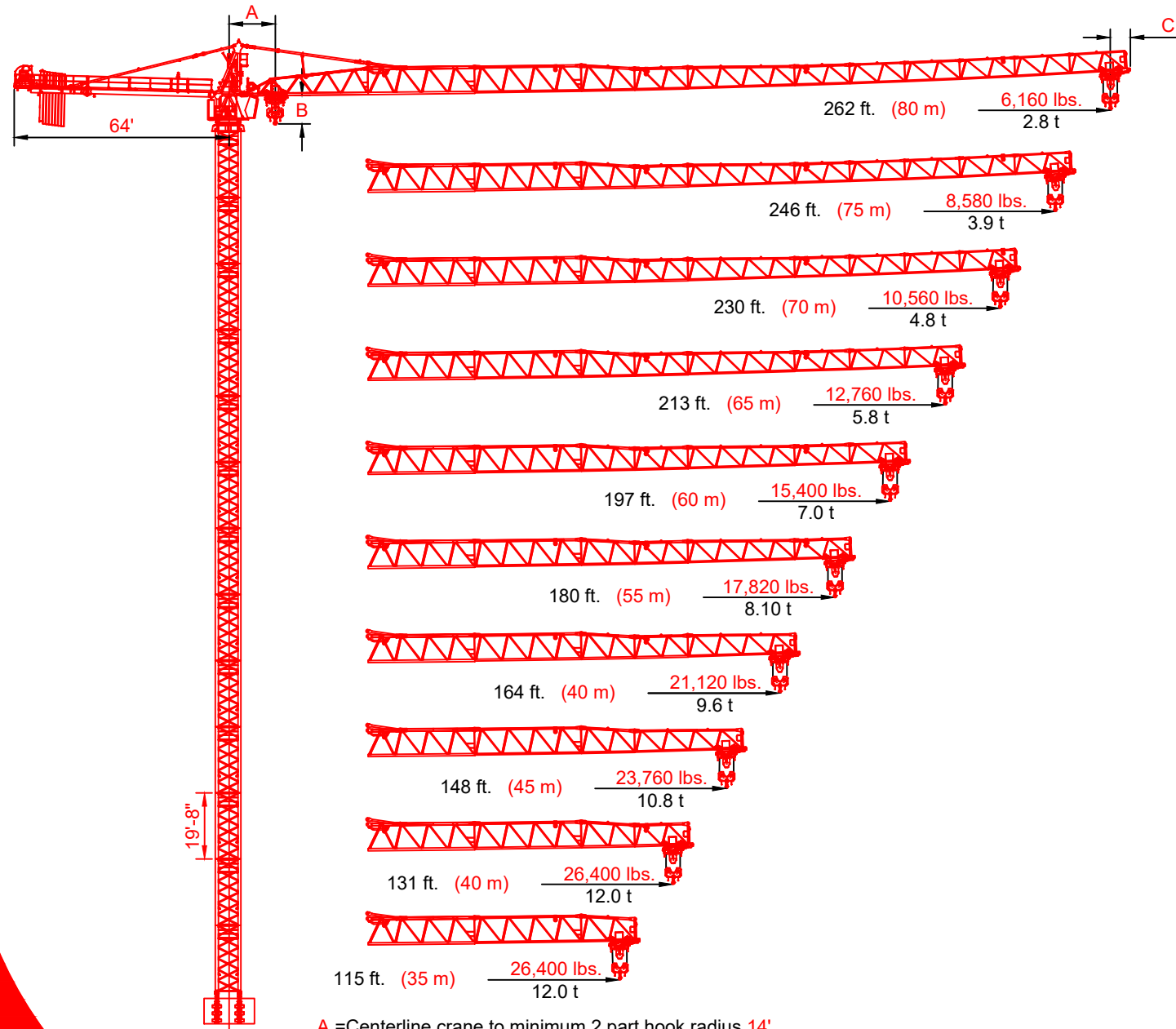


- NOTE:**  
Tie-in installations may vary due to job site conditions. Contact LEWIS CRANE AND HOIST for information regarding dimensions and reaction forces.

The jib must be parallel to the face of building when climbing.



Tower Crane  
Modular System



A =Centerline crane to minimum 2 part hook radius 14'  
 B =Bottom of jib to hook block 8'-6"  
 C =Add for jib tip radius 5'-8"

Line Speeds and Power Requirements

**HOIST UNIT**  
 107 hp (80 kW)

2 - Part Line	Line Speed	Capacity
26,455 lbs. 12 t	459 ft/min 140 m/min	2,425 lbs. 1.1 t
	197 ft/min 60 m/min	11,200 lbs. 5.3 t
	141 ft/min 43 m/min	14,196 lbs. 7.8 t
	98 ft/min 30 m/min	26,455 lbs. 12 t

4 - Part Line	Line Speed	Capacity
52,910 lbs. 24 t	230 ft/min 70 m/min	4,850 lbs. 2.2 t
	95 ft/min 29 m/min	24,251 lbs. 11 t
	69 ft/min 21 m/min	35,274 lbs. 16 t
	49 ft/min 15 m/min	52,911 lbs. 24 t

Unit	Kilowatts	Speed
TROLLEY	1 x 14.75hp 1 x 11KW	0 - 328 ft/min 0 - 100 m/min
SWING	2 x 20 hp 2 x 15KW	0 - 0.7 rpm

**Power Requirements**  
 480 volts, 3 phase, 60 Hz, 300 amp service

Additional Equipment and Services Available

- Moritsch Cranes
- Comedil Tower Cranes
- Peiner Tower Cranes
- Sun Tower Cranes
- Comansa Tower Cranes
- Timberland Derricks
- HardRock Hoist
- Hercules Elevators
- Specialized Rigging
- Technical Services
- Third Party Inspections
- Parts and Repair Services
- Erection and Dismantlement Services

\*Due to product improvement specifications are subject to change without notice.

**EQUIPMENT RENTALS - SALES- 24 HOUR SERVICE - YARD STORAGE & TRANSFERS - REGIONAL SERVICE**

2214 FM 1187, SUITE 1  
 MANSFIELD, TX 76063  
 OFFICE: 817-225-1090 FAX: 817-225-1095

[WWW.LEWISCRANEANDHOIST.COM](http://WWW.LEWISCRANEANDHOIST.COM)