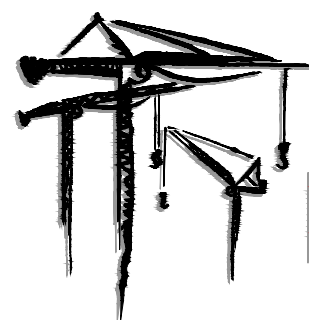


LEWIS
CRANE & HOIST

• Tower Crane • Hoist • Mobile •
Rentals and Sales



LEWIS
CRANE & HOIST

2214 HWY. 1187 BLDG. 1
Mansfield, TX 76063
817-225-1090

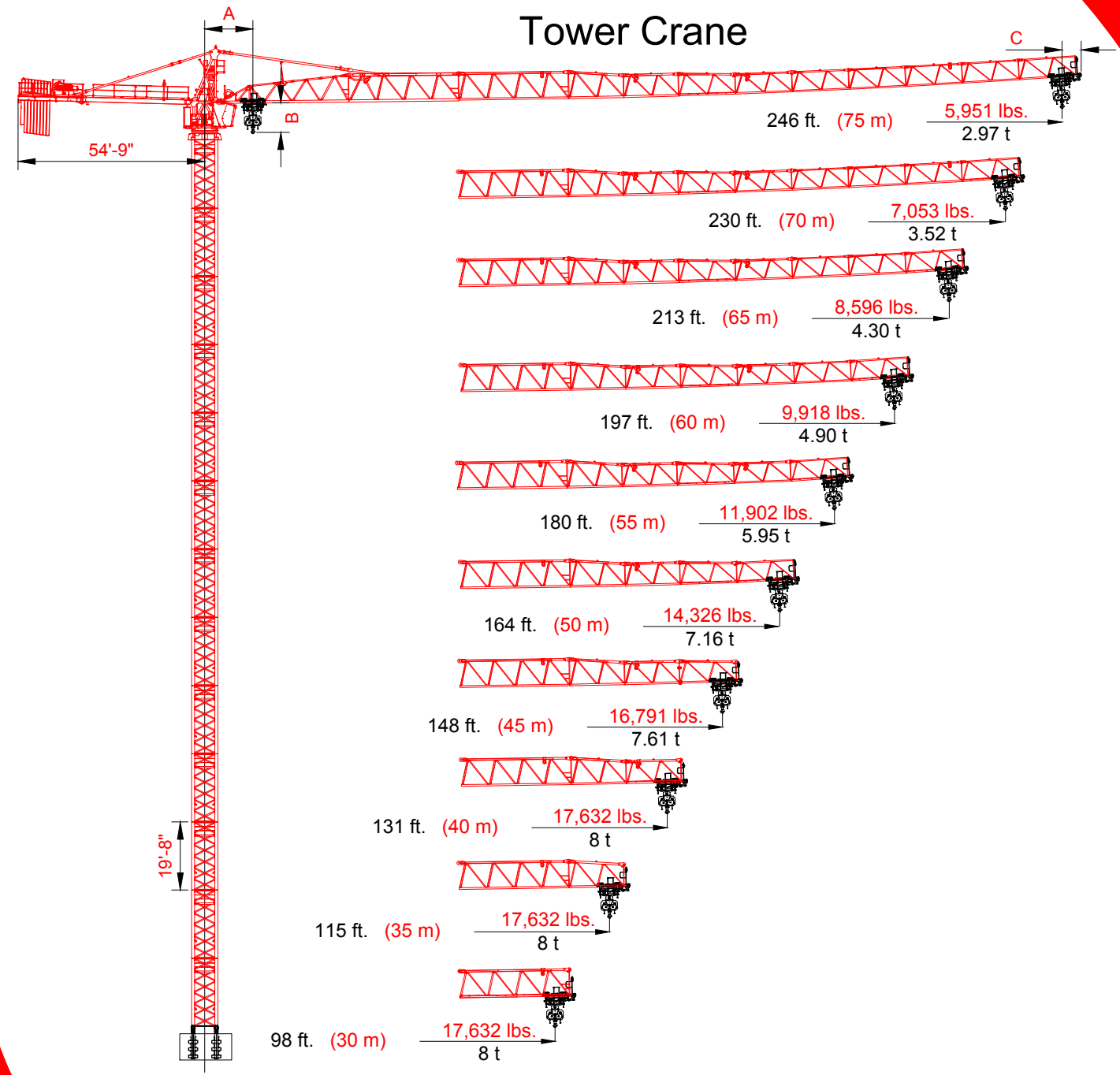
"Your Turnkey Crane and Hoist Provider"

LowTop Tower Crane

RTT 330 HR23



 **MORITSCH**
CRANES SINCE 1962



A =Centerline crane to minimum 2 part hook radius 8'-6"
 B =Bottom of jib to hook block 6'-7"
 C =Add for jib tip radius 5'-6"

Line Speeds and Power Requirements

Hoisting unit
 90 hp (67 kW)

2 - Part Line	Line Speed	Capacity
17,637 lbs. 8 t	131 ft/min 40 m/min	17,637 lbs. 8 t
	173 ft/min 53 m/min	13,228 lbs. 6 t
	311 ft/min 95 m/min	6,614 lbs. 3 t
	482 ft/min 147 m/min	3,527 lbs. 1.6 t

4 - Part Line	Line Speed	Capacity
35,637 lbs. 16 t	65 ft/min 20 m/min	35,637 lbs. 16 t
	86 ft/min 26 m/min	26,455 lbs. 12 t
	141 ft/min 43 m/min	15,432 lbs. 7 t
	226 ft/min 69 m/min	8,378 lbs. 3.8 t

Unit	Horsepower	Kilowatts	Speed
TROLLEY	10	7.5	0 - 295 ft/min 0 - 90 m/min
SWING	3 x 14.7 hp	3 x 11	0 - 0.77 rpm

Power Requirements
 480 volts, 3 phase, 60 Hz, 300 amp service

Additional Equipment and Services Available

- Moritsch Tower Cranes
- Comedil Tower Cranes
- Peiner Tower Cranes
- Sun Tower Cranes
- Comansa Tower Cranes
- Timberland Derricks
- Hardrock Elevators
- Hercules Elevators
- Specialized Rigging
- Technical Services
- Third Party Inspections
- Parts and Repair Services
- Erection and Dismantlement Services

*Due to product improvement specifications are subject to change without notice.

EQUIPMENT RENTALS - SALES- 24 HOUR SERVICE - YARD STORAGE & TRANSFERS - REGIONAL SERVICE

2214 FM 1187, SUITE 1
 MANSFIELD, TX 76063
 OFFICE: 817-225-1090 FAX: 817-225-1095

WWW.LEWISCRANEANDHOIST.COM

Crane Component List

MORITSCH RTT330

Radius and Capacities

MORITSCH RTT330

DESCRIPTION	DIMENSION L x W x H	WEIGHT	DESCRIPTION	DIMENSION L x W x H	WEIGHT
Tower Section HR23-22.6	7'-6" x 7'-6" x 20'-0" 2.29m x 2.28m x 6m	10,695 lbs 4850 kg	Jib Section ⑦	17'-3" x 6'-1" x 6'-2" 5.2m x 1.85m x 1.8m	1,852 lbs. 840 kg
Tower Section HR23-26.6	7'-11" x 7'-11" x 20'-0" 2.34m x 2.34m x 6m	13,825 lbs 6270 kg	Jib Section ⑧	17'-3" x 6'-1" x 6'-2" 5.2m x 1.85m x 1.86m	1,521 lbs. 690 kg
Anchors (4x) HR23-22.6	2'-7" x 2'-7" x 6'-9" .78m x .78m x 2.02m	1,080 lbs 490 kg	Jib Section ⑨	17'-3" x 6'-1" x 6'-2" 5.2m x 1.85m x 1.86m	1,301 lbs. 590 kg
Anchors (4x) HR23-26.6	2'-7" x 2'-7" x 8'-10" .78m x .78m x 2.7m	1,830 lbs 830 kg	Jib Section ⑩	17'-0" x 6'-1" x 6'-2" 5.1m x 1.85m x 1.86m	1,124 lbs. 510 kg
Climbing Unit Complete	38'-2" x 10'-6" x 10'-6" 11.6m x 3.2m x 3.2m	31,967 lbs 14500 kg	Jib Section ⑪	17'-0" x 6'-1" x 6'-2" 5.2m x 1.85m x 1.86m	970 lbs. 440 kg
Counterjib	51'-6" x 7'-5" x 6'-11" 16.9m x 2.13m x 2.37m	17,593 lbs 7980 kg	Jib Section ⑫	16'-11" x 6'-1" x 6'-2" 5.18m x 1.85m x 1.86m	838 lbs. 380 kg
Hoist Block	4'-10x1'-8"x 6'-8" 1.46m x 0.5 m x 2.02m	1,984 lbs. 900 kg	Jib Tip	2'-10" x 5'-6" x 6'-11" 5.19m x 1.85m x 1.86m	529 lbs. 240 kg
Turntable	9'-9" x 7'-7" x 6'-7" 2.97m x 2.31m x 2.01m	20,283lbs. 9200 kg	Counterweights A B C	4'-7" x 11" x 15'-7" 1.4m x .28m x 4.75m	A- 12,345 B- 12,345 C- 2,935
Cathead	7'-10" x 6'-10" x 22'-2" 2.38m x 2.08m x 6.8m	12,280lbs. 5570 kg	246 ft. Jib Assembly (75m) ①②③④⑤⑥⑦⑧⑨⑩⑪⑫+ Tip	251' x 6'-1" x 6'-2" 78.8m x 1.85m x 1.86m	47,509 lbs 21549 kg
Cabin	16'-4" x 7'-8" x 8'-2" 4.9m x 2.35m x 2.48m	6,173 lbs. 2800 kg	230 ft. Jib Assembly (70m) ①②③④⑤⑥⑦⑧⑨⑩⑪+ Tip	235' x 6'-1" x 6'-2" 70.4m x 1.85m x 1.86m	46,627 lbs 21149 kg
Hoisting Unit R01	8'-10" x 5'-1" x 5'-7" 2.69m x 1.54m x 1.70m	8,488 lbs. 3850 kg	213 ft. Jib Assembly (65m) ①②③④⑤⑥⑦⑧⑨⑩	218' x 6'-1" x 6'-2" 65.4m x 1.85m x 1.56m	45,525 lbs 20649 kg
Trolley	8'-6" x 7'-5" x 4'-3" 2.59m x 2.26m x 1.29m	1,367 lbs. 620 kg	197 ft. Jib Assembly (60m) Tip ①②③④⑤⑥⑦⑧⑨+ Tip	202' x 6'-1" x 6'-2" 60.6m x 1.85m x 1.86m	44,423 lbs 20149 kg
Jib Section ² ①	38'-9" x 7'-1" x 8'-7" 11.75m x 2.1m x 2.61m	9,215 lbs. 4180 kg	180 ft. Jib Assembly (55m) ①②③④⑤⑥⑦⑧+ Tip	185' x 6'-1" x 6'-2" 55.7m x 1.85m x 1.86m	43,100 lbs 19549 kg
Jib Section ² ②	32'-11" x 6'-8" x 8'-5" 10m x 1.85m x 2.48m	7,760 lbs. 3520 kg	164 ft. Jib Assembly (50m) ①②③④⑤⑥⑦+ Tip	169' x 6'-1" x 6'-2" 51.5m x 1.85m x 1.86m	41,557 lbs 18849 kg
Jib Section ③	32'-11" x 6'-1" x 8'-2" 10m x 1.85m x 2.49m	5,799 lbs. 2630 kg	148 ft. Jib Assembly (45m) ①②③④⑤⑥+ Tip	153' x 6'-1" x 6'-2" 46m x 1.85m x 1.86m	39,793 lbs 18049 kg
Jib Section ④	16'-10" x 6'-1" x 8'-2" 5.1m x 1.85m x 2.48m	2,778 lbs. 1260 kg	131 ft. Jib Assembly (40m) ①②③④⑤+ Tip	136' x 6'-1" x 6'-2" 41.4m x 1.85m x 1.86m	37,589 lbs 17050 kg
Jib Section ⑤	15'-10" x 6'-1" x 8'-2" 5.1m x 1.85m x 2.38m	2,624 lbs. 1190 kg	115 ft. Jib Assembly (35m) ①②③④+ Tip	121' x 6'-1" x 6'-2" 36.8m x 1.85m x 1.86m	34,943 lbs 15849 kg
Jib Section ⑥	17'-3" x 6'-1" x 6'-9" 10m x 1.85m x 2.05m	2,255 lbs. 1023 kg	98 ft. Jib Assembly (30m) ①②③+ Tip	103' x 6'-1" x 6'-2" 31.3m x 1.85m x 1.86m	32,297 lbs 14649kg

NOTE: Weights and dimensions are approximate. Weigh components before lifting.

- Jib assembly includes trolley, pulley support and winch. 14,517 lbs (6585 kg)
- Jib sections 1+2 with trolley and hook block weighs 25,904 lbs (11296 kg)
- Counter-Jib excludes wire rope and auxiliary-jib
- Turntable complete does not include platform
- Cathead includes platform and ladder
- Telescoping cage does not include platform, ladder and hydraulic pump

Radius and capacity (meter and tons)		2-Part - line										ft
Hook		98	115	131	148	164	180	197	213	230	246	
Radius												lbs.
246 ft	17,632 lbs - 109 ft	17,632	16,699	14,180	12,220	10,653	9,371	8,302	7,398	6,623	5,951	
230 ft	17,632 lbs - 113 ft	17,632	17,359	14,782	12,778	11,175	9,864	8,770	7,846	7,053		
213 ft	17,632 lbs - 120 ft	17,632	17,632	15,878	13,775	12,091	10,714	9,567	8,596			
197 ft	17,632 lbs - 115 ft	17,632	17,632	15,450	13,606	12,131	10,924	9,918				
180 ft	17,632 lbs - 130 ft	17,632	17,632	17,447	15,188	13,380	11,902					
164 ft	17,632 lbs - 137 ft	17,632	17,632	17,632	16,243	14,326						
148 ft	17,632 lbs - 142 ft	17,632	17,632	17,632	16,971							
131 ft	17,632 lbs - 131 ft	17,632	17,632	17,632								
115 ft	17,632 lbs - 114 ft	17,632	17,632									
98 ft	17,632 lbs - 98 ft	17,632										

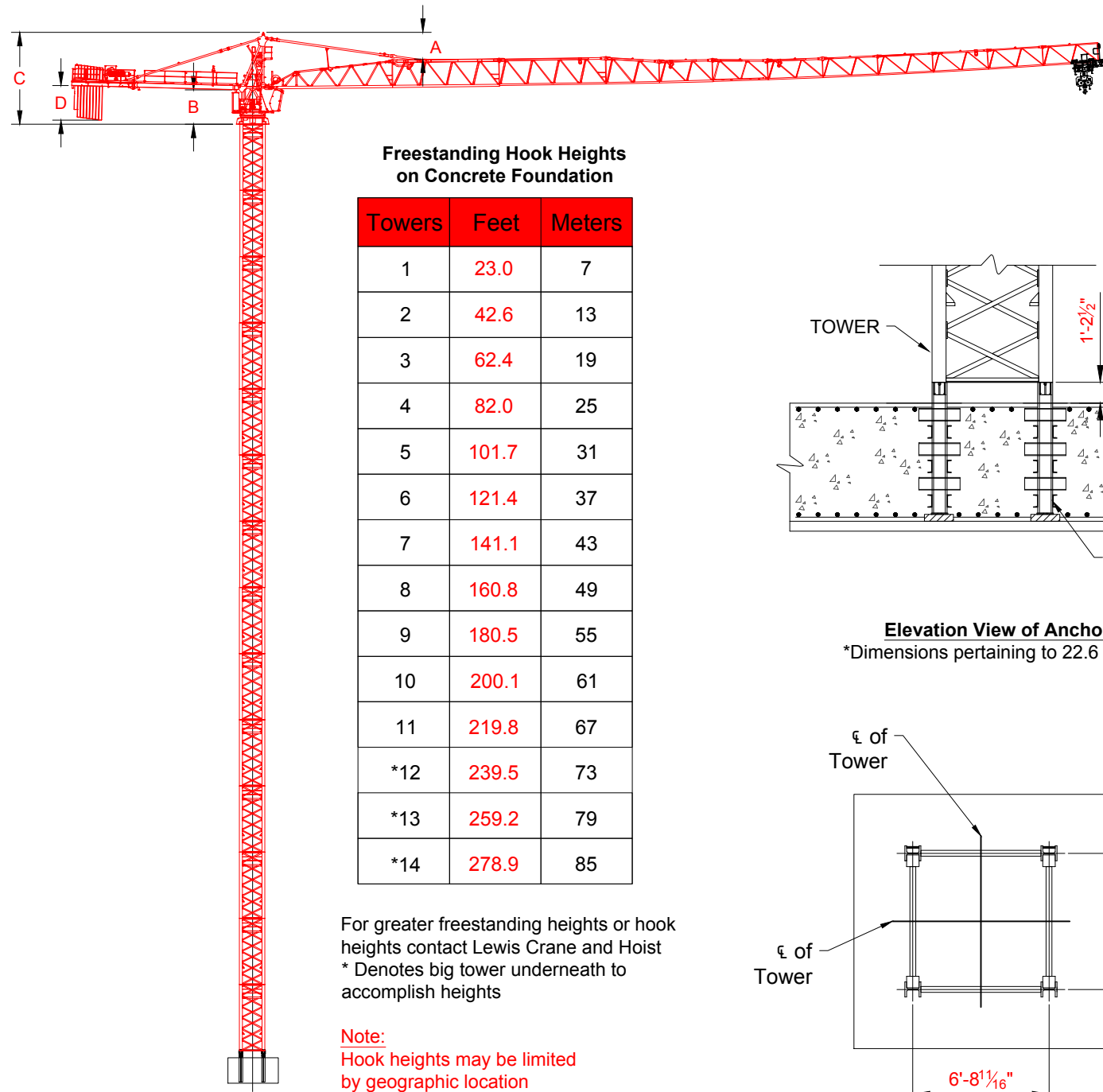
Radius and capacity (meter and tons)		4-Part - line										ft
Hook		98	115	131	148	164	180	197	213	230	246	
Radius												lbs.
246 ft	35,264 lbs - 61 ft	20,233	16,675	14,006	11,931	10,271	8,912	7,780	6,822	6,001	5,290	
230 ft	35,264 lbs - 62 ft	20,903	17,275	14,554	12,438	10,745	9,360	8,205	7,229	6,392		
213 ft	35,264 lbs - 66 ft	22,231	18,438	15,593	13,381	11,611	10,162	8,956	7,934			
197 ft	35,264 lbs - 68 ft	23,098	19,206	16,288	14,017	12,201	10,715	9,477				
180 ft	35,264 lbs - 70ft	24,115	20,069	17,034	14,674	12,785	11,240					
164 ft	35,264 lbs - 74 ft	25,640	21,363	18,155	15,661	13,665						
148 ft	35,264 lbs - 77 ft	26,657	22,223	18,897	16,310							
131 ft	35,264 lbs - 73 ft	27,954	23,315	19,836								
115 ft	35,264 lbs - 78 ft	28,806	24,024									
98 ft	35,264 lbs - 77 ft	28,652										

Radius and capacity (meter and tons)		2-Part - line										m
Hook		30	35	40	45	50	55	60	65	70	75	
Radius												t
75 m	8 t - 33.45 m	8.0	7.58	6.43	5.54	4.83	4.25	3.77	3.36	3.00	2.70	
70 m	8 t - 34.54 m	8.0	7.88	6.71	5.80	5.07	4.48	3.98	3.56	3.20		
65 m	8 t - 36.61 m	8.0	8.0	7.20	6.25	5.49	4.86	4.34	3.90			
60 m	8 t - 35.35 m	8.0	8.0	7.01	6.17	5.50	4.96	4.50				
55 m	8 t - 39.64 m	8.0	8.0	7.92	6.89	6.07	5.40					
50 m	8 t - 41.96 m	8.0	8.0	8.0	7.37	6.50						
45 m	8 t - 45.00 m	8.0	8.0	8.0	7.70							
40 m	8 t - 40.00 m	8.0	8.0	8.0								
35 m	8 t - 35.00 m	8.0	8.0									
30 m	8 t - 30.00 m	8.0										

Radius and capacity (meter and tons)		4-Part - line										m
Hook		30	35	40	45	50	55	60	65	70	75	
Radius												t
75 m	16 t - 18.71 m	9.18	7.57	6.36	5.41	4.66	4.04	3.53	3.10	2.72	2.40	
70 m	16 t - 19.16 m	9.48	7.84	6.60	5.64	4.88	4.25	3.72	3.28	2.90		
65 m	16 t - 20.12 m	10.09	8.37	7.08	6.07	5.27	4.61	4.06	3.60			
60 m	16 t - 20.74 m	10.48	8.71	7.39	6.36	5.54	4.86	4.30				
55 m	16 t - 21.53 m	10.94	9.11	7.73	6.66	5.80	5.10					
50 m	16 t - 22.70 m	11.63	9.69	8.24	7.11	6.20						
45 m	16 t - 23.49 m	12.10	10.08	8.57	7.40							
40 m	16 t - 24.49 m	12.68	10.58	9.00								
35 m	16 t - 25.15 m	13.07	10.90									
30 m	16 t - 25.06 m	13.00										

Hook Heights / Freestanding

MORITSCHE RTT330



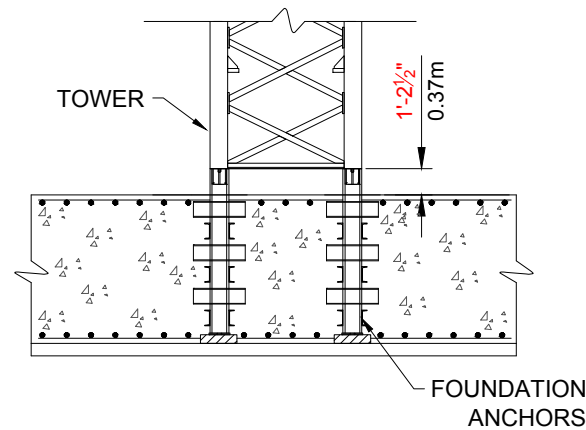
Freestanding Hook Heights on Concrete Foundation

Towers	Feet	Meters
1	23.0	7
2	42.6	13
3	62.4	19
4	82.0	25
5	101.7	31
6	121.4	37
7	141.1	43
8	160.8	49
9	180.5	55
10	200.1	61
11	219.8	67
*12	239.5	73
*13	259.2	79
*14	278.9	85

For greater freestanding heights or hook heights contact Lewis Crane and Hoist
 * Denotes big tower underneath to accomplish heights

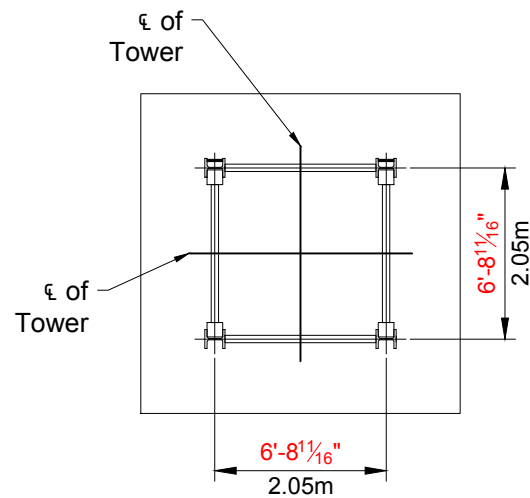
Note:
 Hook heights may be limited by geographic location

- A = Height of A-Frame to Jib top 7'-4" 2.2m
- B = Height from slewing unit to counterjib 10'-0" 3.0m
- D = Height from Counterjib to counterweight bottom 8'-1" 2.46m
- C = Height of the A-Frame from slewing unit 27'-7" 8.19m



Elevation View of Anchors

*Dimensions pertaining to 22.6 anchor

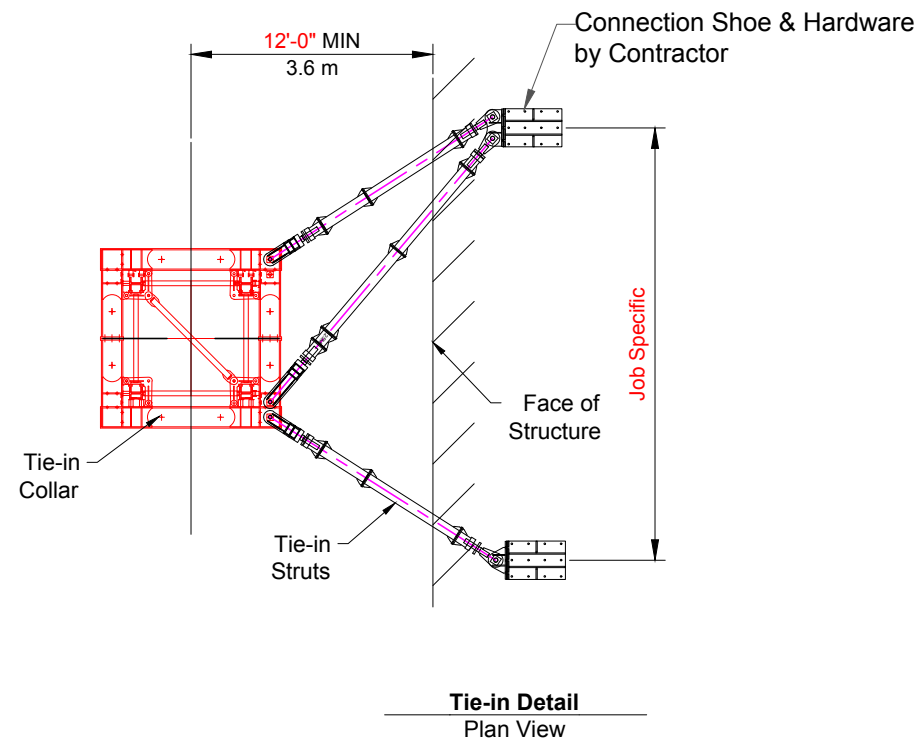


Plan View of Anchors

Climbing / Tie - in Assembly

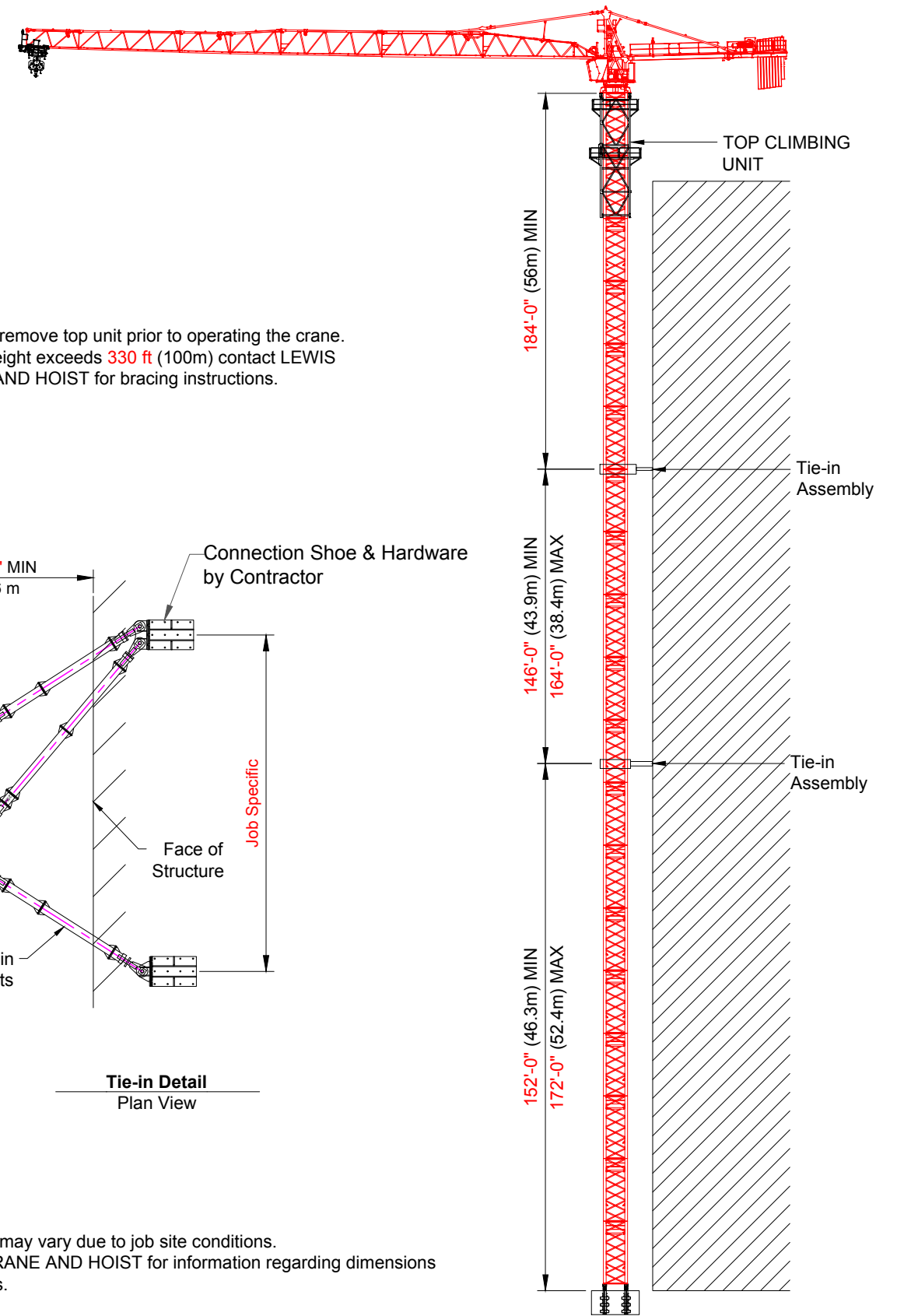
MORITSCHE RTT330

- NOTE:**
1. Lower or remove top unit prior to operating the crane.
 2. If hook height exceeds 330 ft (100m) contact LEWIS CRANE AND HOIST for bracing instructions.



- NOTE:**
 Tie-in installations may vary due to job site conditions. Contact LEWIS CRANE AND HOIST for information regarding dimensions and reaction forces.

The jib must be parallel to the face of building when climbing.



TOP CLIMBING