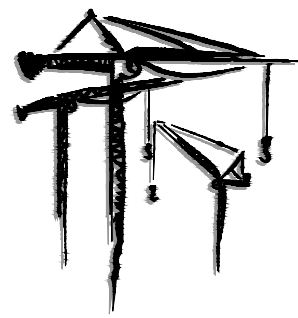


LEWIS
CRANE & HOIST

• Tower Crane • Hoist • Mobile •
Rentals and Sales



LEWIS
CRANE & HOIST

2214 HWY. 1187 BLDG. 1
Mansfield, TX76063
817-225-1090

"Your #1 Turnkey Crane and Hoist Provider"



MORITSCH
CRANES SINCE 1962

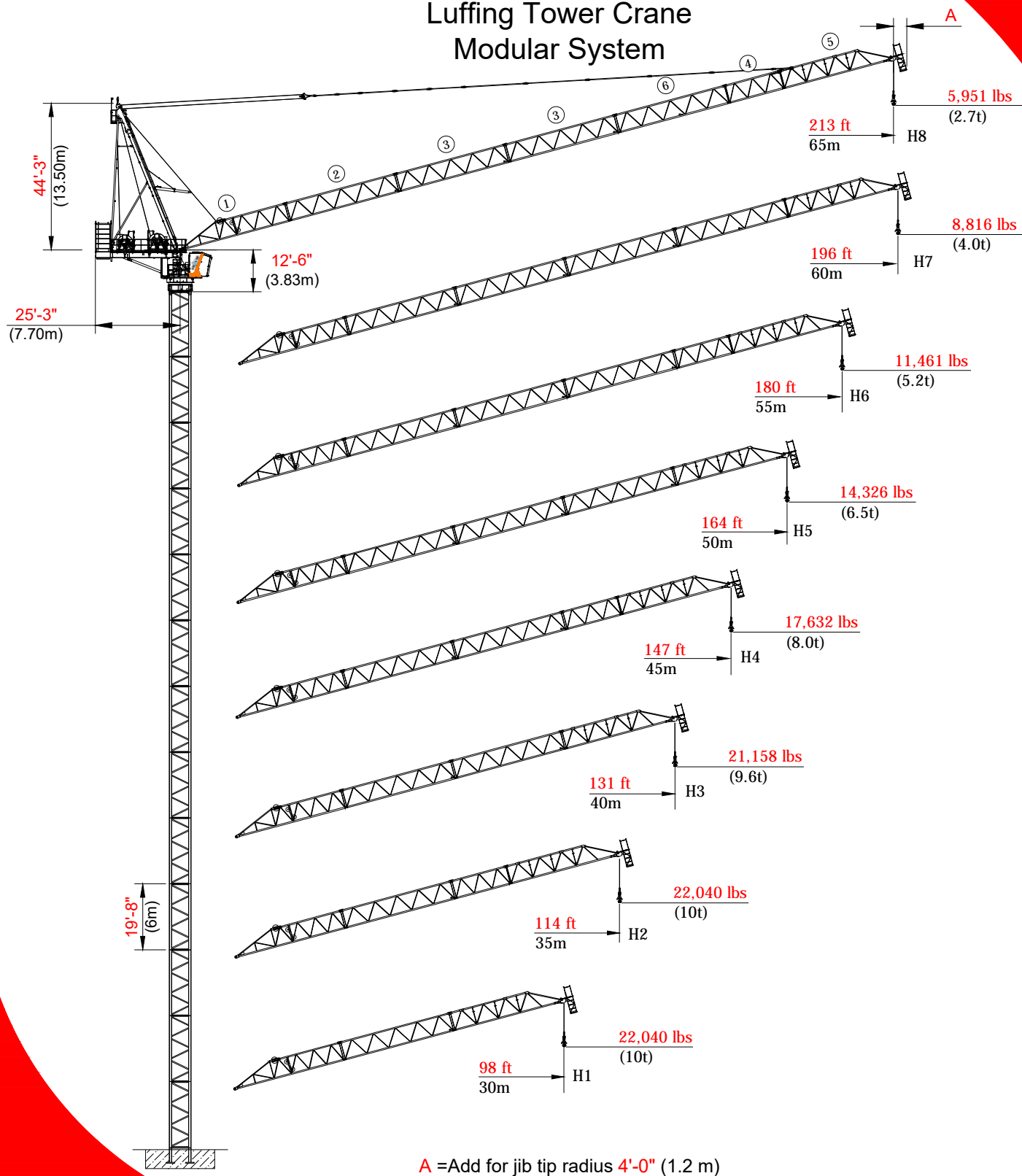
RTL325B

Luffing Tower Crane





Luffing Tower Crane
Modular System



Line Speeds and Power Requirements

Hoisting Unit

87 hp (80 kW)

2 - Part Line	Line Speed	Capacity
22,040 lbs. 10t	125 ft/min 38 m/min	22,040 lbs. 10t
	197 ft/min 60 m/min	13,228 lbs. 6t
	689 ft/min 210 m/min	2,425 lbs. 1.1t

4 - Part Line	Line Speed	Capacity
44,080 lbs. 20 t	52 ft/min 19 m/min	44,080 lbs. 20 t
	98 ft/min 30 m/min	26,455 lbs. 12 t
	344 ft/min 105 m/min	4,850 lbs. 2.2 t

Unit	Horsepower	Kilowatts	Speed
LUFFING	10	67kW	0 - 94m/min 0 - 308 ft/min
SWING	2 x 10 hp	2 x 11	0 - 0.75 rpm

Power Requirements

460 volts, 3 phase, 60 Hz, 300 amp service

Additional Equipment and Services Available

- Moritsch Tower Cranes
- Comedil Tower Cranes
- Peiner Tower Cranes
- Sun Tower Cranes
- Comansa Tower Cranes
- Timberland Derricks
- Hardrock Elevators
- Hercules Elevators
- Specialized Rigging
- Technical Services
- Third Party Inspections
- Parts and Repair Services
- Erection and Dismantlement Services

*Due to product improvement specifications are subject to change without notice.

EQUIPMENT RENTALS - SALES- 24 HOUR SERVICE - YARD STORAGE & TRANSFERS - REGIONAL SERVICE

2214 FM 1187, SUITE 1
MANSFIELD, TX 76063
OFFICE: 817-225-1090 FAX: 817-225-1095

WWW.LEWISCRANEANDHOIST.COM

DESCRIPTION	DIMENSION L x W x H	WEIGHT
Tower Section HR23-22.6	7'-6" x 7'-6" x 19'-8" 2.28m x 2.28m x 6m	10,695 lbs 4850 kg
Tower Section HR23-26.6	7'-9" x 7'-9" x 19'-8" 2.32m x 2.32m x 6m	13,825 lbs 6270 kg
Anchors (4x) HR23-22.6	2'-5" x 2'-5" x 6'-5" .60m x .60m x 2.02m	1,080 lbs 490 kg
Anchors (4x) HR23-26.6	2'-5" x 2'-5" x 8'-5" .60m x .60m x 2.6m	1,830 lbs 830 kg
6 Climbing Unit Complete	33'-2" x 10'-6" x 10'-6" 11.6m x 3.2m x 3.2m	30,200 lbs 13698 kg
Turntable ⁴ HR23	8'-6" x 10'-4" x 9'-8" 2.59m x 3.15m x 2.99m	22,377 lbs. 10,150 kg
Cathead A-Frame Complete	24'-3" x 8'-1" x 46'-1" 7.40m x 2.47m x 14.04m	14,881 lbs. 6750kg
Cabin ⁵ w/Platform	8'-4" x 6'-4" x 15'-3" 2.55m x 1.95m x 4.65m	4,850 lbs. 2200 kg
Counterdeck w/ hand rails	27'-2" x 15'-7" x 6'-8" 8.28m x 4.76m x 2.04m	16,535 lbs. 7500 kg
Hoisting Winch ² 80 HVF100-F18 w/ Rope	11'-10" x 5'-11" x 6'-4" 3.62m x 1.82m x 1.94m	14,220 lbs. 6450 kg
Luffing Winch 67 kW w/ Rope	10'-3" x 5'-6" x 6'-4" 3.13m x 1.70m x 1.94m	9,656 lbs. 4380 kg
Hook Block	4'-1" x 1'-8" x 3'-6" 4.10m x 1.74m x 3.48m	1,058 lbs. 480 kg
Counterweights A B C	9'-7" x 4'-1" x 9" 2.94m x 1.25m x 0.24m	A- 11,025 B- 11,025 C- 4,410
Jib Section ¹	34'-8" x 5'-9" x 5'-9" 10.56m x 1.76m x 1.76m	4,960 lbs 2250 kg

DESCRIPTION	DIMENSION L x W x H	WEIGHT
Jib Section ②	34'-6" x 5'-9" x 5'-9" 10.52m x 1.76m x 1.76m	2,954 lbs 1340 kg
Jib Section ③	34'-6" x 5'-9" x 5'-9" 10.52m x 1.76m x 1.76m	2,535 lbs 1150 kg
Jib Section ④	17'-7" x 5'-9" x 5'-9" 5.35m x 1.76m x 1.76m	1,301 lbs 590 kg
Jib Section ⑤	34'-7" x 5'-9" x 5'-9" 10.60m x 1.76m x 1.76m	3,197 lbs 1450 kg
Jib Section ⑥	34'-6" x 5'-9" x 5'-9" 10.53m x 1.76m x 1.76m	2,535 lbs 1150 kg
Jib Tip Platform ⑦	3'-0" x 3'-1" x 8'-2" .94m x .95m x 2.5m	221 lbs 100 kg
213 ft. Jib Assembly (65m) ①②③④⑤ + Tip	213' x 5'-9" x 5'-9" 65m x 1.76m x 1.76m	24,011 lbs 10,891 kg
196 ft. Jib Assembly (60m) ①②③④⑤ + Tip	196' x 5'-9" x 5'-9" 60m x 1.76m x 1.76m	22,238 lbs 10,086 kg
180 ft. Jib Assembly (55m) ①②③④⑤ + Tip	180' x 5'-9" x 5'-9" 55m x 1.76m x 1.76m	20,613 lbs 9349 kg
164 ft. Jib Assembly (50m) ①②③④⑤ + Tip	164' x 5'-9" x 5'-9" 50m x 1.76m x 1.76m	18,973 lbs 8606 kg
148 ft. Jib Assembly (45m) ①②③④⑤ + Tip	148' x 5'-9" x 5'-9" 45m x 1.76m x 1.76m	17,767 lbs 8058 kg
131 ft. Jib Assembly (40m) ①②③⑤ + Tip	131' x 5'-9" x 5'-9" 40m x 1.76m x 1.76m	16,294 lbs 7390 kg
115 ft. Jib Assembly (50m) ①②④⑤ + Tip	115' x 5'-9" x 5'-9" 35m x 1.76m x 1.76m	14,640 lbs 6640 kg
98 ft. Jib Assembly (30m) ①②⑤ + Tip	98' x 5'-9" x 5'-9" 30m x 1.76m x 1.76m	13,126 lbs 5953 kg

NOTE: Weights and dimensions are approximate. Weigh components before lifting.

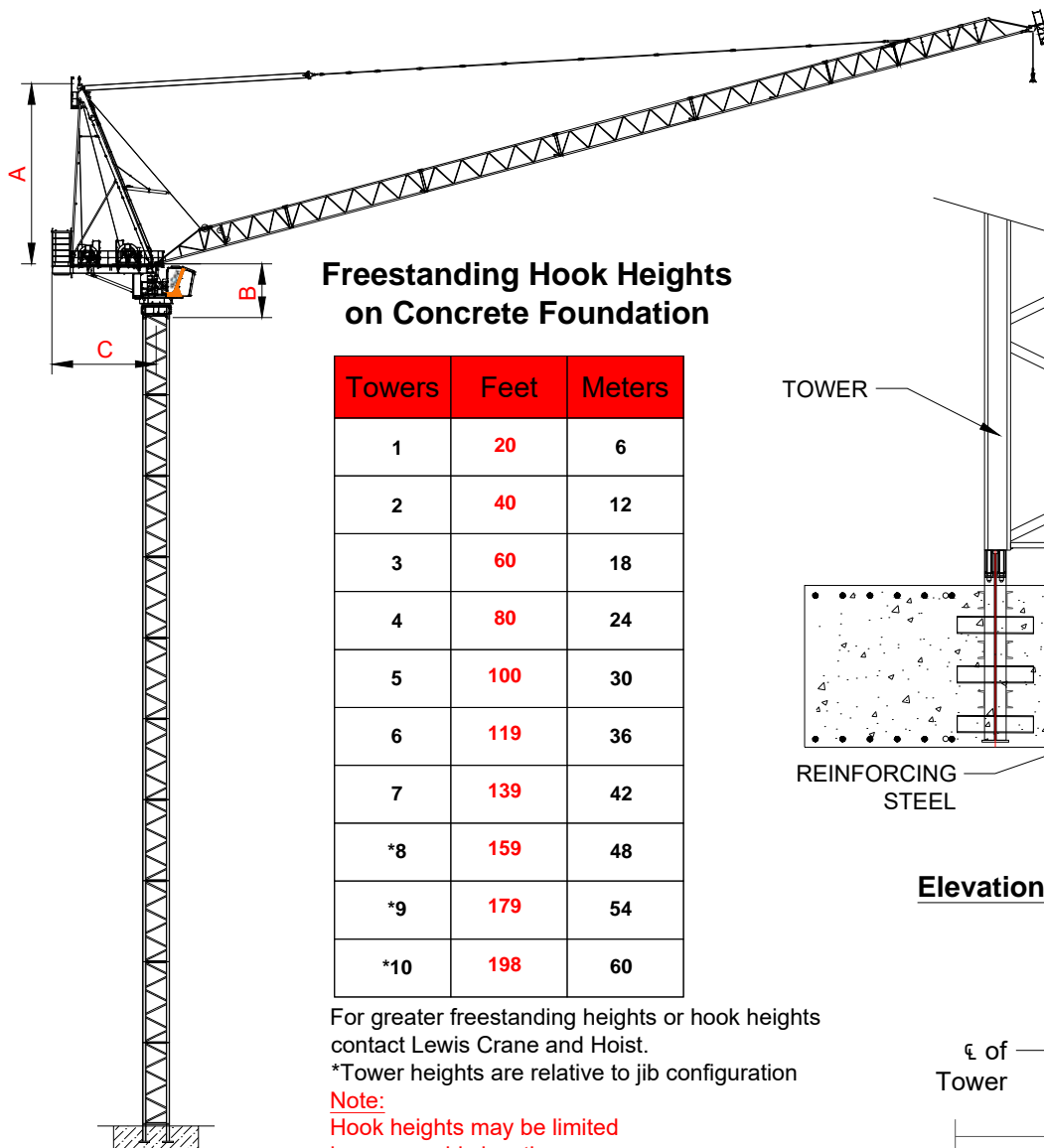
- 1 Jib assembly doesn't include trolley, pulley support and load block
- 2 Hoist unit includes wire rope
- 3 Counterweight-jib doesn't include hoist winch, luffing winch, frame, and tie bars
- 4 Turntable includes A- support frame, does not include platform, and operators cabin
- 5 Cabin includes platform, ladder, control panel and rails
- 6 Telescoping cage does not include platform, ladder and hydraulic pump

Radius and capacity (feet and pounds)		2-Part - line											ft
Hook Radius		49	66	82	98	115	131	147	164	180	196	213	lbs.
213 ft	22,040 lbs - 92 ft	22,040	22,040	22,040	20,093	16,341	13,527	11,338	9,587	8,155	6,961	5,951	
196 ft	22,040 lbs - 113 ft	22,040	22,040	22,040	22,040	21,556	17,742	14,767	12,386	10,439	8,816		
180 ft	22,040 lbs - 119 ft	22,040	22,040	22,040	22,040	22,040	19,147	16,016	13,511	11,461			
164 ft	22,040 lbs - 123 ft	22,040	22,040	22,040	22,040	22,040	20,167	16,922	14,326				
148 ft	22,040 lbs - 127 ft	22,040	22,040	22,040	22,040	22,040	20,966	17,632					
131 ft	22,040 lbs - 127 ft	22,040	22,040	22,040	22,040	22,040	21,158						
115 ft	22,040 lbs - 114 ft	22,040	22,040	22,040	22,040	22,040							
98 ft	22,040 lbs - 98 ft	22,040	22,040	22,040	22,040								

Radius and capacity (feet and pounds)		4-Part - line								ft	
Hook Radius		49	65	82	98	115	131	148	164	180	lbs.
180 ft	39,672 lbs - 74 ft	39,672	39,672	34,603	27,330	22,134	18,238	15,208	12,783	10,800	
164 ft	44,080 lbs - 65 ft	44,080	44,080	36,366	28,799	23,394	19,340	16,187	13,665		
148 ft	44,080 lbs - 72 ft	44,080	44,080	37,777	29,974	24,401	20,222	16,971			
131 ft	44,080 lbs - 73 ft	44,080	44,080	38,217	30,342	24,716	20,497				
115 ft	44,080 lbs - 78 ft	44,080	44,080	38,482	30,305	24,464					
98 ft	44,080 lbs - 79 ft	44,080	44,080	38,526	29,754						

Radius and capacity (meter and tons)		2-Part - line											m
Hook Radius		15	20	25	30	35	40	45	50	55	60	65	t
65m	10 t - 28 m	10.00	10.00	10.00	9.12	7.41	6.14	5.14	4.35	3.70	3.16	2.70	
60m	10 t - 35 m	10.00	10.00	10.00	10.00	9.79	8.05	6.70	5.62	4.74	4.00		
55m	10 t - 37 m	10.00	10.00	10.00	10.00	10.00	8.69	7.27	6.13	5.20			
50m	10 t - 36 m	10.00	10.00	10.00	10.00	10.00	9.15	7.68	6.50				
45m	10 t - 36 m	10.00	10.00	10.00	10.00	10.00	9.51	8.00					
40m	10 t - 38 m	10.00	10.00	10.00	10.00	10.00	9.60						
35m	10 t - 35 m	10.00	10.00	10.00	10.00	10.00							
30m	10 t - 30 m	10.00	10.00	10.00	10.00								

Radius and capacity (meter and tons)		4-Part - line								m	
Hook Radius		15	20	25	30	35	40	45	50	55	t
55m	18 t - 23 m	18.00	18.00	16.78	13.30	10.81	8.95	7.50	6.34	5.39	
50m	20 t - 22 m	20.00	20.00	17.74	14.10	11.50	9.55	8.03	6.82		
45m	20 t - 20 m	20.00	20.00	18.53	14.76	12.06	10.04	8.47			
40m	20 t - 20 m	20.00	20.00	18.83	15.01	12.28	10.23				
35m	20 t - 20 m	20.00	20.00	19.01	15.05	12.21					
30m	20 t - 20 m	20.00	20.00	19.10	14.85						

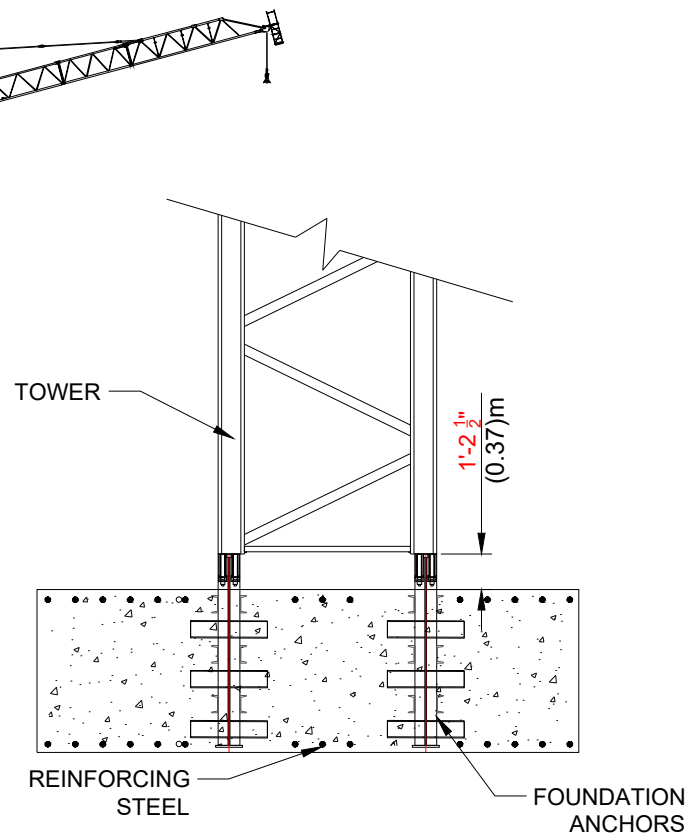


Freestanding Hook Heights on Concrete Foundation

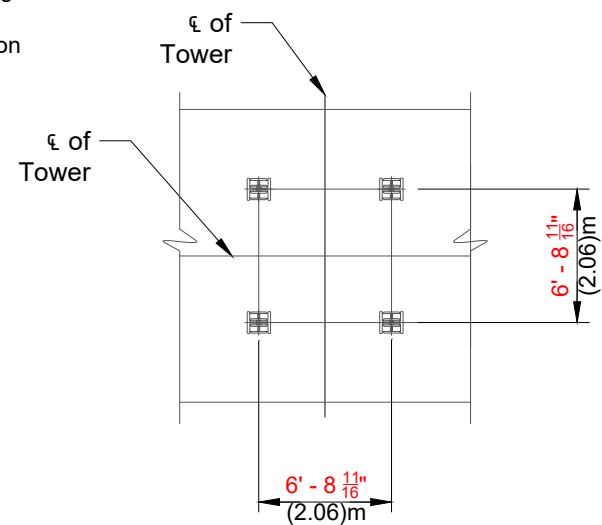
Towers	Feet	Meters
1	20	6
2	40	12
3	60	18
4	80	24
5	100	30
6	119	36
7	139	42
*8	159	48
*9	179	54
*10	198	60

For greater freestanding heights or hook heights contact Lewis Crane and Hoist.
 *Tower heights are relative to jib configuration
Note:
 Hook heights may be limited by geographic location

A = Height of A-Frame unit 44'-2" (13.5m)
 B = Height of complete slewing unit w/ cabin 12'-6" (3.83m)
 C = Distance of counter jib section 25'-3" (7.70m)



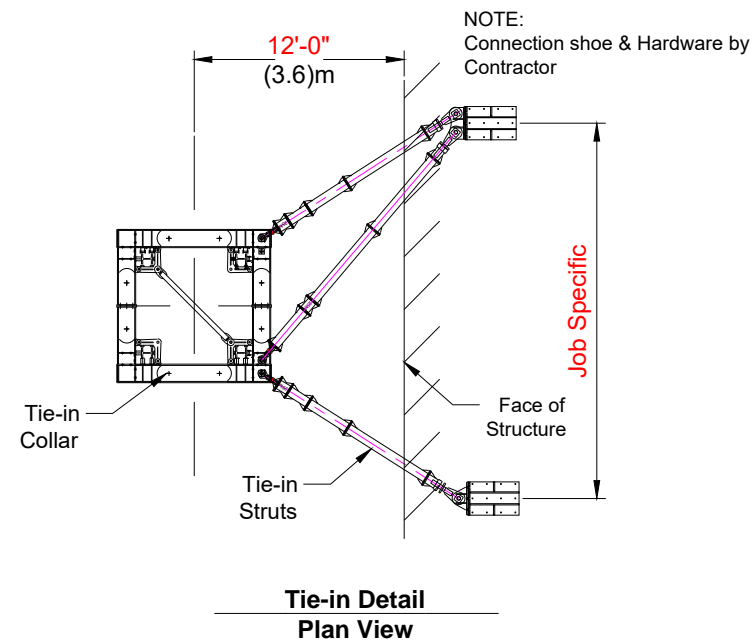
Elevation View of Anchors



Plan View of Anchors

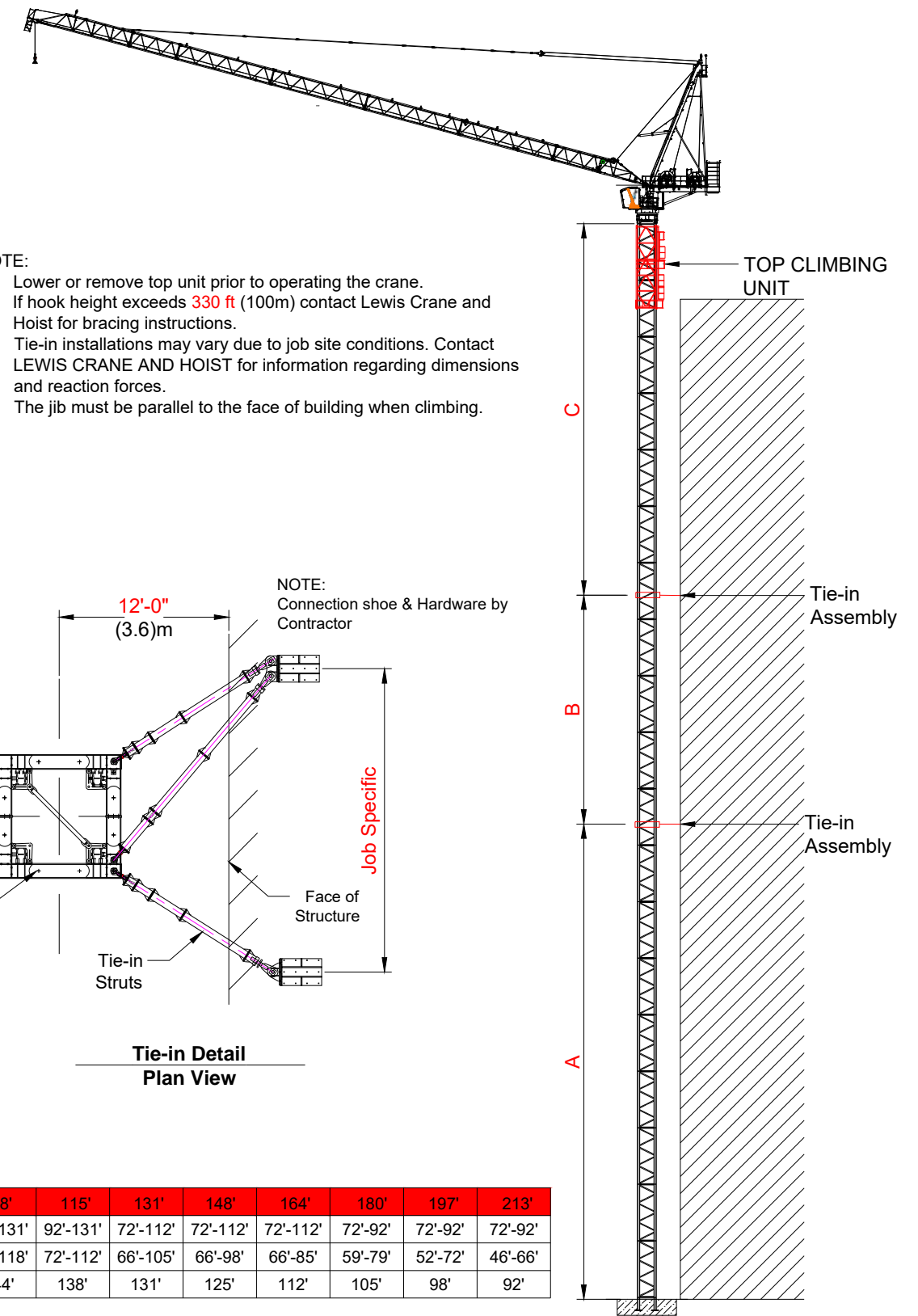
NOTE:

1. Lower or remove top unit prior to operating the crane.
2. If hook height exceeds 330 ft (100m) contact Lewis Crane and Hoist for bracing instructions.
3. Tie-in installations may vary due to job site conditions. Contact LEWIS CRANE AND HOIST for information regarding dimensions and reaction forces.
4. The jib must be parallel to the face of building when climbing.



Tie-in Detail Plan View

Jib Length (ft)	98'	115'	131'	148'	164'	180'	197'	213'
A Min/Max	92'-131'	92'-131'	72'-112'	72'-112'	72'-112'	72'-92'	72'-92'	72'-92'
B Min/Max	79'-118'	72'-112'	66'-105'	66'-98'	66'-85'	59'-79'	52'-72'	46'-66'
C Min/Max	144'	138'	131'	125'	112'	105'	98'	92'



TOP CLIMBING